

AJ

SINE WAVE INVERTER SINUS-WECHSELRICHTER ONDULEUR SINUSOÏDAL INVERSOR SINUSOIDAL

User's and installer's manual
Betriebs- und Montageanleitung
Manuel d'utilisation et de montage
Manual de usuario y de montaje



***AJ 275-12
AJ 350-24
AJ 400-48***


***AJ 500-12
AJ 600-24
AJ 700-48***

***AJ 1000-12
AJ 1300-24***

***AJ 2100-12
AJ 2400-24***

ENGLISH DESCRIPTION	4
INTRODUCTION	4
WARNING	4
INSTALLATION	4
<i>Mounting the inverter</i>	4
CONNECTION.....	5
CONNECTING THE CONSUMER DEVICES	5
<i>Note</i>	5
EQUIVALENT DIAGRAM.....	5
CONNECTING THE BATTERY	5
USE	6
CONTROL AND INDICATORS	6
ACOUSTIC INDICATOR.....	6
ALARM BY VOLTAGE FLICKERING	6
MODEL WITH STAND-BY SYSTEM.....	7
ACTIVATION / DEACTIVATION OF FUNCTIONS:	8
SAFETY	8
BATTERY LIFETIME OPTIMIZER – BLO	9
WARRANTY LIMIT	11
LIMITS OF MANUFACTURER LIABILITY	11
JT8 REMOTE CONTROL FOR AJ 1000-12 TO 2400-24	11
MODELS WITH BUILT-IN SOLAR CHARGER (OPTION – S)	12
CONNECTION OF THE MODULES AJ 2100/2400-S	12
TECHNICAL DATA.....	13
DEUTSCHE BESCHREIBUNG.....	15
EINFÜHRUNG.....	15
VORSICHT	15
INSTALLATION.....	15
<i>Montageort des AJ</i>	15
<i>Befestigung des AJ</i>	15
ANSCHLUSS	16
ANSCHLUSS DER VERBRAUCHER	16
<i>Bemerkung</i>	16
PRINZIPSHEMA.....	16
ANSCHLUSS DER BATTERIE	16
ANWENDUNGEN	17
BEDIENUNG UND ANZEIGEN.....	17
AKUSTISCHER SIGNALGEBER.....	17
ALARM DURCH SPANNUNGSSCHWANKUNG.....	18
LASTERKENNUNGSSCHALTUNG „STAND-BY“	18
AKTIVIERUNG / DEAKTIVIERUNG VON FUNKTIONEN	19
SICHERHEITEN.....	19

SCHUTZ DER BATTERIE DURCH ABSCHALTEN BEI UNTERSPIGUNG:.....	19
BATTERIELEBENSDAUER-OPTIMIERER (BATTERY LIFETIME OPTIMIZER –BLO):.....	20
UNTERHALT.....	21
GARANTIEAUSSCHLUSS.....	22
HAFTUNGSAUSSCHLUSS.....	22
JT8 FERNSTEUERUNG FÜR AJ 1000-2400	22
MODELLE MIT SOLARLADEREGLER (OPTION – S).....	23
ANSCHLUSS DES SOLARMODULE AN AJ 2100/2400-S :.....	23
BEISPIEL.....	23
TECHNISCHE DATEN.....	24
INSTRUCTIONS EN FRANÇAIS	26
INTRODUCTION.....	26
MISE EN GARDE	26
INSTALLATION.....	26
<i>Lieu de montage de l'onduleur</i>	<i>26</i>
<i>Fixation de l'onduleur</i>	<i>26</i>
RACCORDEMENT.....	27
RACCORDEMENT DES CONSOMMATEURS.....	27
SCHEMA EQUIVALENT	27
RACCORDEMENT DE LA BATTERIE	27
UTILISATION.....	28
COMMANDE ET INDICATEURS	28
INDICATEUR SONORE	28
ALARME PAR FLUCTUATION DE TENSION.....	28
MODELES AVEC STAND-BY	29
ACTIVATION / DESACTIVATION DE FONCTIONS:.....	30
SECURITES.....	30
PROTECTION DE LA BATTERIE PAR DECONNEXION EN TENSION BASSE :.....	30
OPTIMISEUR DE DUREE DE VIE DE BATTERIE (BATTERY LIFETIME OPTIMIZER – B.L.O.) :	31
MAINTENANCE	32
EXCLUSION DE LA GARANTIE	33
EXCLUSION DE LA RESPONSABILITE	33
JT8 - COMMANDE A DISTANCE POUR AJ 1000 A 2400	33
MODELES AVEC CHARGEUR SOLAIRE (OPTION – S)	34
RACCORDEMENT DES MODULES SUR AJ 2100/2400-S :.....	34
EXEMPLES DE MONTAGE.....	34
DONNEES TECHNIQUES.....	35

INSTRUCCIONES EN ESPAÑOL	37
INTRODUCCIÓN.....	37
ATENCIÓN	37
INSTALACIÓN.....	37
<i>Lugar de montaje del inversor.....</i>	<i>37</i>
<i>Fijación del inversor.....</i>	<i>37</i>
CONEXIÓN	38
CONEXIÓN DE LOS CONSUMIDORES.....	38
ESQUEMA DE PRINCIPIO.....	38
CONEXIÓN DE LA BATERÍA	38
UTILIZACIÓN	39
FUNCIONES E INDICADORES.....	39
INDICADOR ACÚSTICO	39
ALARMA POR FLUCTUACIÓN DE TENSIÓN.....	40
MODELOS CON STANDBY.....	40
ACTIVACIÓN / DESACTIVACIÓN DE FUNCIONES.....	41
SEGURIDAD.....	41
OPTIMIZADOR DE VIDA ÚTIL DE BATERÍA (BATTERY LIFETIME OPTIMIZER – B.L.O.):.....	42
MANTENIMIENTO	43
LÍMITES DE GARANTÍA	44
EXCLUSIÓN DE RESPONSABILIDAD	44
JT8 – CONTROL REMOTO PARA AJ 1000 A 2400	44
MODELOS CON CARGADOR SOLAR (OPCIÓN – S)	45
CONEXIÓN DE LOS MÓDULOS SOBRE AJ 2100/2400-S:.....	45
EJEMPLOS DE MONTAJE.....	45
DATOS TECNICOS	46
DECLARATION OF EC CONFORMITY, 	48

ENGLISH DESCRIPTION

INTRODUCTION

The AJ series sine wave inverters have been designed to meet industrial and domestic needs. They meet the highest requirements in terms of comfort, safety and reliability.

Any device designed for the public electrical grid of 230 V 50 Hz can be connected to them (up to the nominal power of the inverter).

The AJ series is the perfect source of voltage in any place where the public grid is not available.

This document is an essential part of the inverter and must always be carried with it and be available for anyone working on the installation.

Should you have any doubt or question, do not hesitate to contact your specialist salesperson who will give you the best advice.

WARNING

A deficient assembly could result in damage to the device, cause function failures or potential damage to the users.

The working device generates a high voltage which might be lethal in case of contact. So, any manipulation of the inverter must be carried out with utmost care and meet the local rules.

THE OWNER MUST NOT MANIPULATE ANY PIECE INSIDE THE INVERTER.

Opening the inverter or using it incorrectly will result in the immediate loss of the warranty.

The inverter AJ is to be used only with a lead battery. As for the use of batteries, follow the manufacturer's instructions.

No current or voltage generating device (public grid, generator, ...) may be connected to the output of the inverter because this could result into its destruction.

INSTALLATION

The AJ sine wave inverter is an electronic device, for which some caution must be taken when installing it:

Place where the inverter is to be installed:

Out of reach for unauthorized persons, especially children.

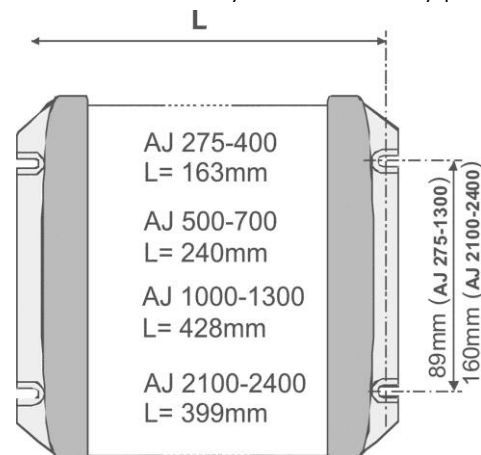
In a dry place (max. 95% humidity), and in any case with no condensation.

Not directly on top of the batteries.

No easily inflammable material should be placed directly underneath or close to the AJ. Ventilation must be free, and a space of 10 cm. on each side is needed for good evacuation of the internal heat.

Mounting the inverter

The inverter shall be mounted on a nonflammable surface by screws (diameter max. 4 mm for AJ 275-AJ 1300 or max. 8 mm for AJ 2100 and 2400) using the four holes provided. The fixing screws are not supplied with the inverter. It may be fixed in any position.



CONNECTION

The connection of the inverter should be done with utmost care for a good operation of the system. The technical data and connection's description are either under one side of the inverter or onto the cable connection side. First connect the consumer devices and install a plug so as to prevent any further contact once the 230 V voltage is present. Installation is to be made only by authorized persons.

CONNECTING THE CONSUMER DEVICES

The AJ is supplied with a 230 V cable to be connected to the consumer devices. This connection must be done observing the following colours:

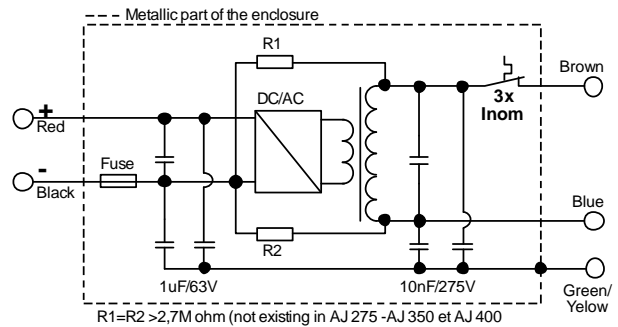
- Yellow-green: earth
- Brown: phase
- Blue: neutral

Once the consumer devices are connected, make sure that they are turned off before connecting the battery.

Note

An Inverter constitutes a voltage source independent from the grid and could be considered in the same way as a generator set. The voltage in between the phase and the neutral is 230V. An appropriate divisor establishes a 115V voltage in between neutral and earth, and between the phase and earth. According to the local prescriptions or particular requirement, (example: use of a ground fault detector) a true neutral may be established by connecting the neutral and the earth wire together (yellow - green and blue).

EQUIVALENT DIAGRAM



CONNECTING THE BATTERY

Once the consumer devices are connected, make sure that the installations instructions of the 230V has been followed with utmost care before connecting the battery.

The battery cables are supplied with the inverter and already connected in it. Connect the battery observing carefully the polarity.

The AJ inverter, **except AJ 2100-12**, is protected against reverse polarity by a fuse, but should the polarity be reversed, the inverter must be sent to the manufacturer for control.

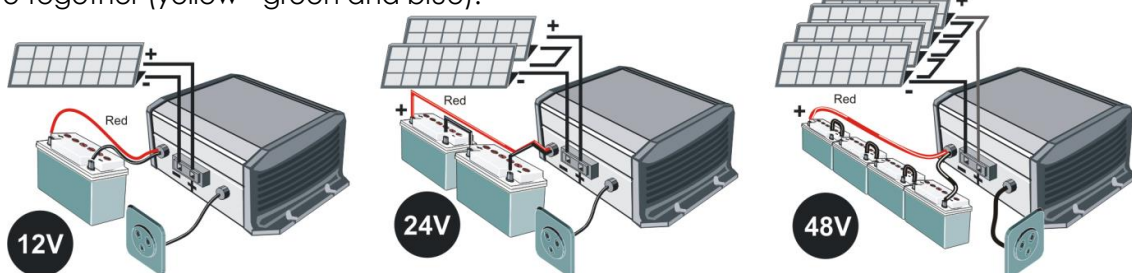
Connect the battery using the following colours:

- BLACK cable: negative pole (-)
- RED cable: positive pole (+)

For AJ 275-12 (-S) to 700-48 (-S), a bicoloured cable is used. Go for the dominant colour.

When connecting the battery, there is a spark (Danger of explosion!), because of the charging of the internal filtering capacitors.

A fire security fuse must be installed on the battery.



STUDER Innotec SA

AJ

Check that the cables are well adjusted and well tightened.

As long as it is possible, do not extend the cables supplied with the batteries. Extending them may increase the losses and lead to a malfunction of the inverter.

Once the inverter is connected to the batteries, a 230 V voltage is present at the output of the inverter.

USE

CONTROL AND INDICATORS



Control switch on/off

There is a switch on the inverter to activate or deactivate it. Use this function to save the energy of the batteries when you are not using the inverter.

Note:

The solar charge controller remains in operation even when the inverter is off.



“Functioning” indicator (green LED 1)

A green light on the inverter indicates its functioning mode:

Illuminated: A 230 V voltage is present at the output, the inverter is on.

Blinking:
- - - - - No load (stand-by).

— — — — — The 230 V voltage has been cut due to an alarm; the inverter will automatically resume function when the failure has disappeared (see the failure table p. 9).

Off : The 230 V voltage is NOT present at the output, the inverter is off.



B.L.O. indicator (green LED 2)
Led only on AJ 275-12 to 700-48

This indicator is illuminated only if the enhanced Battery Lifetime Optimizer function (description p. 9) is activated.

Activation/Deactivation described in p. 8.

ACOUSTIC INDICATOR

The AJ inverter has an acoustic indicator for the following cases:

Intermittent beeps:

There is a failure in the inverter and the output voltage will be interrupted.

Overheat:

The acoustic indicator beeps 3°C before cutting the voltage. Reduce the consumption in order to lower the inverter temperature and to avoid the output voltage is cut off.

Low battery voltage:

The indicator beeps during a minute before the interruption. Reduce the consumption in order to get the battery voltage rise and to avoid that the output voltage is cut off.

Continuous beep for two seconds:

You have pushed the ON/OFF switch to restart the inverter. The output voltage will be immediately present after the acoustic signal.

The acoustic warnings can be deactivated as per the procedure described p. 8.

ALARM BY VOLTAGE FLICKERING

When the acoustic indicator is deactivated or when the inverter is out of hearing, it can be useful to be warned of an imminent inverter stop due to an “overheat” or a “battery under voltage”. If this function is activated (see p. 8 for Activation/Deactivation of functions), the output voltage will flicker slightly (max. 20%), leading to a variation of the lights intensity and therefore indicating the imminent stop of energy supply.

The user can then choose to reduce his consumption in order to secure the supply to priority loads (for instance lighting).

MODEL WITH STAND-BY SYSTEM

The inverters from the AJ 500-12 are equipped with a stand-by system (also available in the models AJ 275-12/350-24/400-48 with the option -S).

The stand-by is an energy saving system which turns off the inverter intermittently when no consumer is detected. In this mode the functioning indicator (green LED 1) blinks, showing the intermittent presence of the voltage.

The detection threshold is set by default at 2 W. On models from AJ 500-12 onwards it is possible to deactivate this function or to modify the threshold by adjusting the yellow Turning Knob marked Stand-by.

Adjusting the switching-on level is as follows: Switch off all consuming devices; turn the

Turning Knob to the right (clockwise) until the LED is blinking, switch ON the smallest consuming device (i.e. mobile phone charger); turn the Turning Knob slowly to the left until LED is lit continuously. Check that the inverter goes back in stand-by mode when you remove the load. If not, this means that the load is too small to be detected.

If the stand-by is not required, turn the Knob fully to the right.

The minimal load detected can be adjusted between 1 and 20 W. In most cases this adjustment is not necessary. This adjustment is made with a small screw driver in the hole marked stand-by. In the full counter clockwise position, the sensibility is minimal (20 W). Do not push on the screw driver.

NOTE: In this mode the output voltage is intermittently present at the output!

ACTIVATION / DEACTIVATION OF FUNCTIONS:

The following functions of the AJ range can be freely enabled or disabled by the user:

1. Acoustic warning of imminent stop of the inverter according to p. 6.
2. Battery lifetime optimizer function as described p. 9.
3. Imminent stop alarm by voltage flickering as described p. 6.

The state « activated » or « deactivated » of the functions is indicated by the buzzer with a continuous push on the on/off key after a duration given for each function as per the table below:

- Single « beep » short = function activated
- Double « beep » short = function deactivated

	Function	Duration of impulse (onto on/off)	Default setting
1.	Acoustic alarm	5 seconds	Activated
2.	Battery Lifetime Optimization (B.L.O.)	10 seconds	Deactivated
3.	Alarm by voltage flickering	15 seconds	Deactivated

The state is reversed if the on/off key is released within 2 seconds following the buzzer sound.

To consult the state of functions without having any effect on them or changing their programming it is possible to maintain the on/off key pushed on. Beyond 20 seconds the buzzer will sound continuously to indicate the end of the sequence and will stop by the release of the key.

SAFETY

The inverter is electronically protected. It is protected against reverse polarity by an internal fuse, except for AJ 2100-12 inverter, which must be protected by an external fuse. The next table displays the various possible default cases and their consequences.

Caution: the inverter is not protected against the connection of an AC source (generator or grid) at its output. Such connection will cause a major failure and should be avoided.

Battery protection by LVD - Low voltage disconnection battery protection:

The battery is protected from deep discharge by stopping the inverter if the battery reaches a voltage lower than $0.87 \cdot U_{nom}$ (10.5, 21 or 42 V) during more than 1 minute. An acoustic signal or a voltage flickering (if authorized) is activated during 1 minute before the inverters stops. The inverter must then be restarted manually. It will restart automatically if the battery voltage is back to a value higher than $1.04 \cdot U_{nom}$ (12.5, 25 or 50 V). The inverter will stop immediately (with no delay) if the battery voltage is lower than $0.75 \cdot U_{nom}$ (9, 18 or 36 V).

The table below will show you the different causes of inverter stopping.

CAUSE	CONSEQUENCE	SOLUTION
Low battery voltage, Voltage < 0.87*Unom	Inverter temporary stopped, the green indicator blinks.	Automatic restart when the battery voltage rises at 1.04*Unom.
Deep discharged battery 0.75*Unom	Inverter stopped	Inverter should be manually restarted when the battery has reached =0.87*Unom
Overheating	Inverter temporary stopped, the green indicator blinks.	Automatic restart when the temperature reaches the normal range.
Battery overvoltage 1.33*Unom	Inverter stopped.	Wait until the battery voltage reaches the correct level. Push the ON/OFF button to reactivate the inverter. 1.25*Unom
Short circuit at the output	Inverter stopped.	Eliminate the short circuit. Push the ON/OFF button to reactivate the inverter.
Overload	Inverter stopped.	Use the inverter only in the range of its nominal power. Regular use in overload power diminishes the lifetime of the inverter. Push the ON/OFF button to reactivate the inverter.
Battery reverse polarity	Internal fuse broken down.	Back to manufacturer for testing.

BATTERY LIFETIME OPTIMIZER – BLO



Cycling a battery in permanent charging mode from 0 to 30% is often a cause of early aging of batteries, particularly in solar home systems.

In order to enhance the battery lifetime, the AJ inverters are equipped with a unique function that will readjust the low voltage disconnection (LVD) threshold according to the behavior of the user consumption. This allows a full recharge of the battery.

This function can be activated at any time as per the procedure described p. 8.

An indicator (green LED 2) only available on from AJ 275-12 to 700-48 is lit or blinks when this function is activated. The number of blinks indicates the LVD currently applied.

If this indicator is lit continuously, this means that the use of the battery is correct and that it was well charged. The LVD is then set at 0.87*unom (10.5, 21 or 42V) as per the model. This also means that you have the widest availability of the energy stored and that your battery is likely to last longer.

If the indicator is blinking one or several times, this means that the use of the battery is restricted and that the disconnection voltage was set according to the table below (+/- 2%).

STUDER Innotec SA

AJ

12V	24V	48V	LED	Comments
10.5	21	42	0 x (ON)	This is also the LVD level when BLO is deactivated
11V	22V	44	1 x off	-
11.4	22.8	45.6	2 x off	Level at BLO activation
11.6	23.2	46.4	3 x off	-
11.8	23.6	47.2	4 x off	-
12	24	48	5 x off	-
12.2	24.4	48.8	6 x off	-

This strategy will of course restrict the use of the battery and drive the user to reduce his consumption or to increase the production (by an additional charger connected to a backup generator for instance).

When the battery voltage is higher than 1.08*Unom (13 V, 16 V, 52 V) during 2 hours, the LVD is progressively stepped down by a decrement of 33 mV/cell (0.4 V @ 12 V). This process insures that the average charge of the battery is sufficient (over 50 %) to assure its optimized lifetime.

This function is particularly useful in solar home systems where the battery is sized in 3-5 times the daily average production. For instance a 200 W solar system producing 800 Wh/day connected to a 200-300 Ah / 12 V battery.

If the battery is sized so as to be fully discharged and charged every day, it may be possible that the restriction of use implied by the permanent increase of LVD is not wished. We recommend then to deactivate the Battery Lifetime Optimizer.

Maintenance

The inverters of the AJ series do not need any special maintenance. The casing may be cleaned with a damp cloth (not wet).

In the case of malfunction or mechanical deformation, the inverter should be sent back to the manufacturer for control carefully packed in its original packing.

Before deciding to send back the inverter, check the following points:

- The battery is loaded and is in accordance to the nominal input voltage of the inverter.
- The consumer devices do not have any defect or overload for the inverter (to make sure, disconnect them).

Should you contact your salesperson, note the following points before calling:

(You will find this information on the label underneath the inverter or at the cable side)

- Exact model
- Serial number
- Power of the inverter
- Nominal input voltage of the inverter

In case the inverter should not be sent back in its original packaging, it should be packed in a stiff carton box and be well protected on all sides by means of an anti-shock and isolating layer of min. 5 cm thickness. A weak protection may cause damages to the inverter during transport and are not covered by the warranty.

WARRANTY LIMIT

The warranty period is 5 years.
It does not cover damages arising from a use not conforming to the user manual, not described in it or resulting from any other inappropriate use like:

- Battery reverse polarity
- Inadequate input voltage (overvoltage)
- Back-feeding at the inverter output by public grid, generator or any other source.
- Mechanical shock or deformation especially by transport due to an inadequate package.
- Contact with liquid or oxidation by condensation.

Use in inappropriate environment (dust, corrosive vapour, humidity, high temperature ...).

LIMITS OF MANUFACTURER LIABILITY

Studer Innotec SA cannot control the installation, use and maintenance of the inverter. Thus, we are not responsible for damages, costs or losses resulting from an installation which is not in accordance with the regulations or from inappropriate use or maintenance.

The customer is always responsible for the use of the Studer inverters.

This device has not been designed and is not warranted for use in life support equipment or any other critical device with potential risks of important harm to people or to the environment. We do not accept any responsibility for any violation of patent rights or other third person rights resulting from the use of the inverter.

Studer Innotec SA keeps the right to modify its products without previous notice.

JT8 REMOTE CONTROL FOR AJ 1000-12 TO 2400-24

Functions on remote control are the same as control and indicator on the inverter (see chapter Use p. 6).

Remote control must be connected to the inverter with the original Studer 10 m cable or any RJ11/6p 1:1 cable up to 50 m.



STUDER Innotec SA

AJ

MODELS WITH BUILT-IN SOLAR CHARGER (OPTION – S)

The solar charge controller built in option in the inverter AJ is meant for charging a battery exclusively from a solar generator.

Any other source of current needs an external and suitable charge controller.

The maximum (open) voltage of the solar generator is 23 V for 12 V systems, 46 V for 24 V systems and 90 V for 48 V systems.

Connect firstly the inverter to the battery before connecting the solar generator. The adjustment mode is an I/Uuo (“floating”) shunt and it guarantees optimal charge conditions along the battery lifetime.

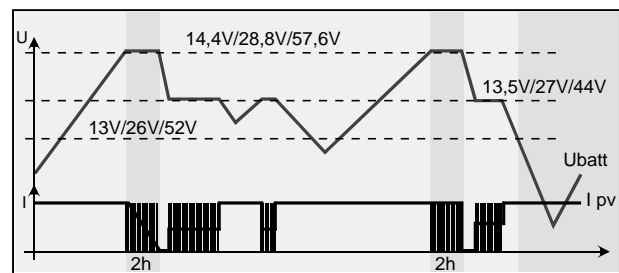
The yellow indicator displays the functioning mode:

Illuminated: The solar charge is at its maximum.

Not illuminated: the solar generator is not connected or the battery is fully charged, or the solar generator does not get solar irradiation.

Blinking:

The battery is more than 95% charged and the charger is in “floating” mode to complete the charge. The blinking frequency varies as per the capacity of the battery and the power of the solar generator.



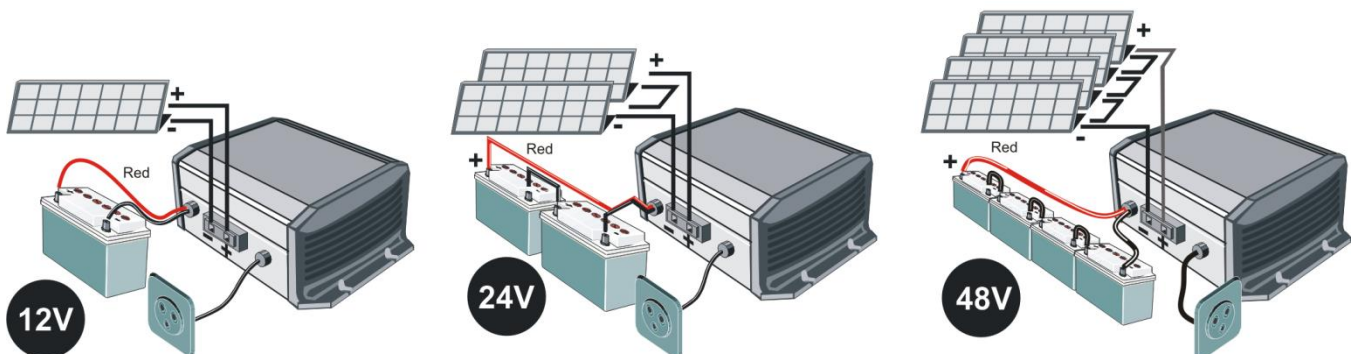
NOTE: Since the solar charge controller integrated in the AJ is of PWM type, it is necessary to use 36 or 72 cell PV modules (12V or 24V respectively). All other types of PV modules require an MPPT charge controller (i.e VarioTrack or VarioString).

CONNECTION OF THE MODULES AJ 2100/2400-S

On AJ 2100-S/2400-S inverters, a preinstalled cable (2 x 6mm²) replaces the terminals. Wiring should be done through a connecting box.

- Positive (+) pole to the brown or red cable
- Negative (-) pole to the blue or black cable

Examples



TECHNICAL DATA

Model	AJ 275-12	AJ 350-24	AJ400-48	AJ 500-12	AJ 600-24	AJ 700-48	
Inverter							
Nominal battery voltage	12Vdc	24Vdc	48Vdc	12Vdc	24Vdc	48Vdc	
Input voltage range	10.5 – 16Vdc (24Vdc max.)	21 – 32Vdc (44Vdc max.)	42 – 64Vdc (24Vdc max.)	10.5 – 16Vdc (20Vdc max.)	21 – 32Vdc (40Vdc max)	42 – 64Vdc (24Vdc max.)	
Continuous power at 25°C	200VA	300VA	300VA	400VA	500VA	500VA	
Power 30 min. at 25°C	275VA	350VA	400VA	500VA	600VA	700VA	
Power 5 min. at 25°C	350VA	500VA	600VA	575VA	675VA	900VA	
Power 5 sec. at 25°C	450VA	650VA	1000VA	1000VA	1200VA	1400VA	
Maximum asymmetric load	150VA	150VA	200VA	250VA	300VA	300VA	
Max. efficiency (%)	93%	94%	94%	93%	94%	94%	
Cos φ max.	0.1 – 1 up to 200VA	0.1 – 1 up to 300VA	0.1 – 1 up to 300VA	0.1 – 1 up to 400VA	0.1 – 1 up to 500VA	0.1 – 1 up to 500VA	
Detection of the load	2W (only with the solar option –S)			Adjustable: 1 → 20W			
Current of short-circuit 2 sec. (exit)	2.3Aac (4.6Aac*)	3.2Aac (6.4Aac*)	4.6Aac (9.2Aac*)	5.2Aac (10Aac*)	5.7Aac (11.4Aac*)	7Aac (14Aac*)	
Output voltage	Sine wave 230Vac (120Vac*) ±5%						
Frequency	50Hz (60Hz*) ±0.05% (crystal controlled)						
Distortion THD (resistive load)	< 5% (at Pnom. & Uin nom.)						
Consumption Stand-by	0.3W**	0.5W**	1.1W**	0.4W	0.6W	1.5W	
Consumption „ON“ no load	2.4W	3.5W	5.2W	4.6W	7.2W	12W	
Overheat protection (±5°C)	Shut down at 75°C, Auto-restart at 70°C						
Overload and short circuit protection	Automatic disconnection with 2 restart attempts						
Reverse polarity protection by internal fuse	60A	40A	25A	120A	90A	60A	
Deep discharge battery protection	Shut off at 0.87 x Unom, Automatic restart at Unom.						
Max. battery voltage	Shut off at >1.33 x Unom, Automatic restart at < Umax						
Acoustic alarm	Before low battery or overheating disconnection						
General data							
Weight	2.4 kg	2.6 kg		4.5 kg			
Dimensions h x w x l (mm)	142x163x84			142x240x84			
Protection index IP	IP 30 conforms to DIN 40050						
Certification ECE-R 10 (E24)	•	•	Not available	•	•	Not available	
EC conformity	EN 61000-6-1, EN 61000-6-3, EN 55014, EN 55022, EN 60950-1						
Operating temperature	-20°C up to +50°C						
Relative humidity in operation	95% without condensation						
Ventilation forced	From 45°C ±5°C						
Acoustic level	< 45 dB (with ventilation)						
Warranty	5 years						
Approximate correction of Pnom	-1.5%/°C as from +25°C						
Recommended battery capacity	> 5 x Pnom/Unom (recommended value in Ah)						
Length cables (Battery/left AC)	1.2m / 1m			1.5m / 1m			
Options							
Solar regulator	Voltage max	25Vdc	45Vdc	90Vdc	25 Vdc	45Vdc	90Vdc
	Current max.	10Aac			15Aac		
	Principle	3 floating stages (I/U/UO)					
	Absorption voltage	14.4Vdc	28.8Vdc	57.6Vdc	14.4Vdc	28.8Vdc	57.6Vdc
	Floating voltage	13.6Vdc	27.2Vdc	54.4Vdc	13.6Vdc	27.2Vdc	54.4Vdc
Plug for remote control (RCM)	•	•	•	•	•	•	

Model	AJ 1000-12	AJ 1300-24	AJ2100-12	AJ 2400-24	
Inverter					
Nominal battery voltage	12Vdc	24Vdc	12Vdc	24Vdc	
Input voltage range	10.5 – 16Vdc (24Vdc max.)	21 – 32Vdc (44Vdc max.)	10.5 – 16Vdc (20Vdc max.)	21 – 32Vdc (40Vdc max.)	
Continous power at 25°C	800VA	1000VA	2000VA	2000VA	
Power 30 min. at 25°C	1000VA	1300VA	2100VA	2400VA	
Power 5 min.at 25°C	1200VA	2000VA	2450VA	2800VA	
Power 5 sec. at 25°C	2200VA	2800VA	5000VA	5200VA	
Maximum asymmetric load	500VA	600VA	1000VA	1200VA	
Max. efficiency (%)	93%	94%	92%	94%	
Cos φ max.	0.1 – 1 up to 800VA	0.1 – 1 up to 1000VA	0.1 – 1 up to 2000VA	0.1 – 1 up to 2000VA	
Detection of the load	Adjustable: 1 → 20W				
Current of short-circuit 2 sec. (exit)	10Aac (20Aac*)	13Aac (26Aac*)	26Aac (52Aac*)	30Aac (60Aac*)	
Output voltage	Sine wave 230Vac (120Vac*) ±5%				
Frequency	50Hz (60Hz*) ±0.05% (crystal controlled)				
Distortion THD (resistive load)	< 5% (at Pnom. & Uin nom.)			< 3% (at Pnom. & Uin nom.)	
Consumption Stand-by	0.7W	1.2W	0.7W	1.2W	
Consumption „ON“ no load	10W	13W	16W	16W	
Overheat protection (±5°C)	Shut down at 75°C, Auto-restart at 70°C				
Short circuit protection	Automatic disconnection with 2 restart attempts				
Reverse polarity protection by internal fuse	125A	100A	Not protected	150A	
Deep discharge battery protection	Shut off at 0.87 x Unom, Automatic restart at Unom.				
Max. battery voltage	Shut off at >1.33 x Unom, Automatic restart at < Umax				
Acoustic alarm	Before low battery or overheating disconnection				
General data					
Weight	8.5 kg		19 kg	18 kg	
Dimensions hxxw (mm)	142x428x84		273x399x117		
Protection index IP	IP 30 conforms to DIN 40050		IP 20 conforms to DIN 40050		
Certification ECE-R 10 (E24)	•	•	•	•	
EC conformity	EN 61000-6-1, EN 61000-6-3, EN 55014, EN 55022, EN 60950-1				
Operating temperature	-20°C up to +50°C				
Relative humidity in operation	95% without condensation				
Ventilation forced	From 45°C ±5°C				
Acoustic level	< 45 dB (with ventilation)				
Warranty	5 years				
Approximate correction of Pnom	-1.5%/°C as from +25°C				
Recommended battery capacity	> 5 x Pnom/Unom (recommended value in Ah)				
Length cables (Battery/left AC)	1.5m / 1m		1.7m / 1m		
Options					
Solar regulator	Voltage max	25Vdc	45Vdc	25Vdc	45 Vdc
	Current max.	25Aac		30Aac	
	Principle	3 floating stages (I/U/UO)			
	Absorption voltage	14.4Vdc	28.8Vdc	14.4Vdc	28.8Vdc
	Floating voltage	13.6Vdc	27.2Vdc	13.6Vdc	27.2Vdc
Remote control JT8 supplied with 5 m cable	•	•	•	•	

DEUTSCHE BESCHREIBUNG

EINFÜHRUNG

Die Wechselrichter der Serie AJ sind für den Betrieb von allen handelsüblichen 230V Geräten konzipiert worden. Die AJ genügen den höchsten Anforderungen an Zuverlässigkeit, Sicherheit und Komfort.

Jedes für das 230V-Wechselstromnetz geeignete Gerät kann auch mit einem AJ betrieben werden.

Ein AJ ist die ideale Spannungsquelle überall da wo das öffentliche Netz nicht hinführt.

Diese Beschreibung ist in jedem Fall Teil der Lieferung eines AJ. Sie muss allen Personen welche mit einem AJ arbeiten zur Verfügung stehen!

Bei eventuellen Fragen oder Unklarheiten kann Ihnen der Händler Auskunft geben.

VORSICHT

Eine falsche Behandlung oder Montage des Wechselrichters kann schwerwiegende Folgen haben wie; Beschädigung des Gerätes, hervorrufen einer Fehlfunktion oder den Benutzer gefährden!

Der AJ erzeugt eine 230V-Sinusspannung wie im öffentlichen Stromnetz. Jegliche Berührung kann fatale Folgen haben! Die Installationsarbeiten mit dem Wechselrichter AJ verlangen besondere Aufmerksamkeit und dürfen nur von geschultem Personal ausgeführt werden und müssen in jedem Fall den jeweils gültigen Installationsvorschriften entsprechen.

Der AJ darf in keinem Fall geöffnet werden.

Das Öffnen oder die nicht konforme Anwendung des AJ bedeuten den Verlust jeglicher Garantieansprüche.

Der AJ darf mit keiner anderen Spannungs- oder Stromquelle als mit Bleibatterien betrieben werden.

Am Ausgang des AJ dürfen keine Spannungs- oder Stromquellen wie Notstromgeneratoren, das öffentliche Netz usw. angeschlossen werden, da der Wechselrichter zerstört werden könnte.

Der Einsatz von Batterien verlangt besondere Vorsicht. Befolgen Sie darum unbedingt die Richtlinien des Batterieherstellers.

INSTALLATION

Der Sinuswechselrichter AJ ist ein elektronisches Gerät. Für dessen Installation sind darum einige Vorsichtsmassnahmen zu beachten.

Montageort des AJ

Der Montageort sollte gegen unbefugten Zugriff gesichert sein (vor allem auch vor Zugriff von kleinen Kindern).

In einem trockenen Raum mit einer Luftfeuchtigkeit von max. 95% ohne Kondensation.

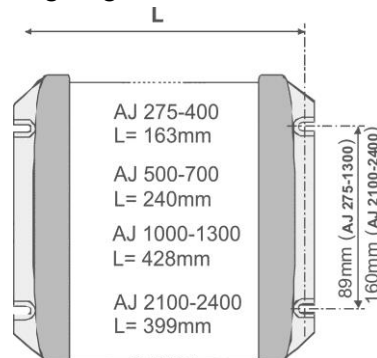
Nicht direkt über der Batterie.

Bei den Lüftungsein- bzw. Auslässen muss für eine unbehinderte Lüftung 10cm Freiraum belassen werden.

In der Umgebung des Wechselrichters darf sich kein leicht brennbares Material befinden oder darunter gelagert werden.

Befestigung des AJ

Der Wechselrichter kann, auf einer nicht brennbaren Unterlage, mit Hilfe von 4 Schrauben (Durchm. max. 4mm für AJ 275-AJ 1300 oder Durchm. max. 8mm für AJ 2100 und 2400) in jeder beliebigen Lage montiert werden. Für die Befestigung dürfen nur die 4 von aussen zugänglichen Löcher verwendet werden. Die Befestigungs-Schrauben sind nicht beigelegt.



ANSCHLUSS

Der Anschluss des AJ muss mit besonderer Vorsicht ausgeführt werden. Eine sichere und einwandfreie Funktion der Anlage wird dadurch gewährleistet. Die Gerätedaten und die Anschlussbezeichnung befinden sich auf der Gehäuseunterseite oder auf der Kabelanschlussseite. Vor dem Anschluss des AJ an die Batterie muss das Kabel OUT 230V mit einer Steckerkupplung (weiblich) versehen werden oder bei einer festen Installation muss der Anschluss entsprechend den Installationsvorschriften von geschultem Personal ausgeführt werden.

ANSCHLUSS DER VERBRAUCHER

Der Wechselrichter AJ wird mit bereits angeschlossen Kabeln geliefert. Das schwarze 3-adrige Kabel für den 230V-Ausgang muss entsprechend den folgenden Farben angeschlossen werden:

- Gelb-/Grün : Erdleiter
- Braun : Phase
- Blau : Neutral

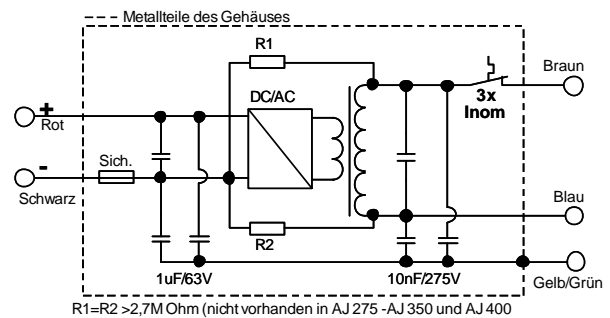
Vor dem Anschluss der Batterie muss darauf geachtet werden, dass die angeschlossenen Verbraucher ausgeschaltet sind.

Bemerkung

Ein Wechselrichter ist eine vom Netz unabhängige Spannungsquelle vergleichbar mit einem Notstromgenerator. Phase und Neutralleiter können darum vertauscht werden. Zwischen Phase und Neutralleiter liegt eine Spannung von 230V. Zwischen Phase und Erde sowie zwischen Neutral und Erde liegen jeweils 115V an. Je nach

Installationsvorschrift oder Anwendung (beim benutzen eines FI Schutzschalters) können Neutral-Leiter und Erde (gelb-grün und blau) verbunden werden.

PRINZIPSCHEMA



ANSCHLUSS DER BATTERIE

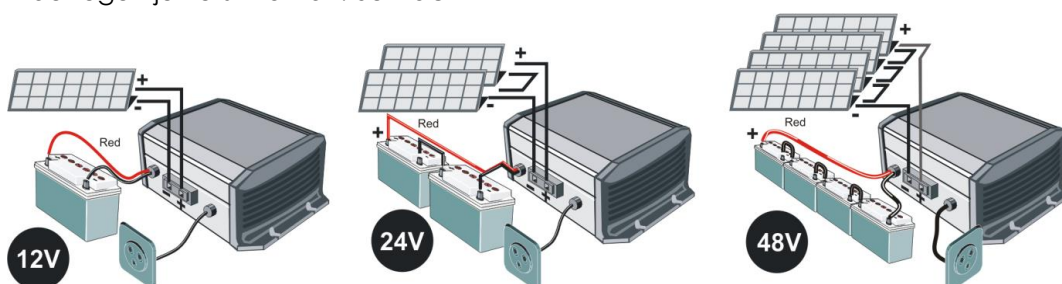
Vor dem Anschluss der Batterie muss sichergestellt sein, dass die 230V Installation vorschriftsgemäss ausgeführt wurde.

Der AJ wird mit angeschlossen Batteriekabeln geliefert. Beim Anschliessen der Batterie muss unbedingt auf die richtige Polarität geachtet werden. Die AJ, **mit Ausnahme des AJ 2100-12**, sind durch eine Sicherung gegen Verpolung geschützt. Für einen eventuellen Sicherungswechsel muss der AJ zur Kontrolle an den zuständigen Händler gebracht werden.

- Kabel Schwarz: -Minus-Pol
- Kabel Rot: + Plus-Pol

Für die Kabel der AJ 275-12 bis AJ 700-48 gelten die jeweils dominierenden Farben!

Beim Anschliessen der Batterie entsteht ein Funken (EXPLOSIONSGEFAHR!) durch das Aufladen der internen Kondensatoren. Die Batterie muss mit einer Sicherung auf der Batterieklemme versehen sein!



STUDER Innotec SA

Kontrollieren Sie, dass die Anschlüsse gut festgeschraubt sind.

Die Batteriekabel sollten nicht verlängert werden. Eine Verlängerung der Batteriekabel bedeutet grössere Verluste und/oder Funktionsstörungen des AJ und somit auch der angeschlossenen Geräte.

Sobald der AJ an der Batterie angeschlossen wird, ist er eingeschaltet und es liegen 230V am Ausgang.

ANWENDUNGEN

BEDIENUNG UND ANZEIGEN



Steuertaste on/off

Mit der Drucktaste kann der AJ ein- und ausgeschaltet werden. Schalten Sie den Wechselrichter mit dieser Taste aus, wenn Sie keine Energie brauchen.

Anmerkung: Der Solarladeregler funktioniert weiterhin auch wenn das Gerät ausgeschaltet ist.



Funktionsanzeige (Grüne LED 1)

Eine grüne Leuchtdiode (LED) zeigt den Funktionszustand des Wechselrichters an:

LED leuchtet: Der Wechselrichter ist in Funktion; am Ausgang liegen 230V.

LED blinkt:
- - - - - Der Wechselrichter ist im Stand-by-Betrieb p15.

Der Wechselrichter ist wegen eines Alarms vorübergehend ausgeschaltet. Nach verschwinden des Alarms schaltet sich der Wechselrichter automatisch wieder ein. (Die möglichen Alarmgründe sind auf der folgenden Tabelle aufgeführt.)

AJ

LED gelöscht: Der Wechselrichter ist ausgeschaltet, am Ausgang liegt keine 230V-Spannung.



**„BLO“ Anzeige (Grüne LED 2)
(LED ausschliesslich auf den AJ
275-12 bis 700-48)**

Diese Anzeige leuchtet nur wenn die BLO „Battery Lifetime Optimizer“-Funktion (Beschrieb S. 20) aktiviert ist (zur Aktivierung/Deaktivierung siehe S. 19).

AKUSTISCHER SIGNALGEBER

Der Wechselrichter AJ ist mit einem akustischen Signalgeber ausgerüstet welcher in folgenden Fällen piept:

Intermittierender Ton:

Signal, dass der Wechselrichter sich im Alarmzustand befindet und demnächst die Ausgangsspannung abschalten wird.

Mögliche Fehler:

Überhitzung:

Alarm 3°C bevor der Wechselrichter abschaltet. Einen Teil der Last abschalten, damit der Wechselrichter nicht mehr überlastet ist und sich abkühlen kann.

Unterspannung der Batterie:

Wenn die Batteriespannung zu tief fällt, pfeift der Signalgeber eine Minute lang bevor der Wechselrichter abschaltet.

Dauerton während 2 Sek.:

Warnsignal, dass 2 Sekunden nach dem Einschalten mit der Taste ON/OFF der Wechselrichter einschaltet, und dass an dessen Ausgang 230V anliegen!

Der akustische Signalgeber kann wie auf Seite 17 beschrieben, ausgeschaltet werden.

ALARM DURCH SPANNUNGSSCHWANKUNG

Wenn der akustische Signalgeber deaktiviert ist oder sich das Gerät ausser Hörweite befindet, kann es nützlich sein wenn man von einer bevorstehenden Unterspannung oder Überhitzung des Wechselrichters gewarnt wird. Wenn diese Funktion aktiviert ist (Aktivierung / Deaktivierung der Funktion siehe Seite 19), wird die Ausgangsspannung leicht schwanken (max -20%) damit die angeschlossenen und benutzten Lampen anfangen zu flackern und somit vor einem bevorstehenden Unterbruch der Energiequelle warnen. Beim Eintreten dieses Falles kann der Benutzer somit den Verbrauch reduzieren und damit die Funktion der prioritären Verbraucher verlängern.

LASTERKENNUNGSSCHALTUNG „STAND-BY“

Alle Wechselrichter ab AJ 500-12 sind mit einem Stand-by-System ausgerüstet (Auch erhältlich für die Serie 275/350/400 mit der Option -S). Um die Batterie nicht unnötig zu entladen, schaltet sich der Wechselrichter automatisch aus wenn kein Verbraucher angeschlossen ist, und automatisch wieder ein wenn ein Verbraucher eingeschaltet wird. Die LED blinkt, wenn der Wechselrichter im Stand-by Modus ist. Werksseitig wird der Einschaltpegel auf etwa 2W eingestellt. Der Einschaltpegel kann mit dem gelben Drehknopf „STAND-BY“ mit einem kleinen Schraubenzieher eingestellt werden. Das Einstellen des Einschaltpegels geschieht folgendermassen: Sämtliche Verbraucher ausschalten; Den Drehknopf nach rechts (Uhrzeigersinn) drehen bis die LED blinkt; den kleinsten Verbraucher einschalten (z.B. Ladegerät für das Mobiltelefon); Drehknopf langsam nach links drehen bis die LED leuchtet. Danach zur Kontrolle diesen kleinen Verbraucher ausschalten der Wechselrichter muss nach einigen Sekunden wieder im Stand-by-Modus arbeiten. Geschieht dies nicht, ist die Last des Verbrauchers zu klein um erkannt zu werden.

Ist der Stand-by Modus nicht erwünscht, muss der Drehknopf ganz nach links gedreht werden.

Die minimal zu erkennende Last kann zwischen 1 und 20W eingestellt werden. In den meisten Fällen ist diese Einstellung nicht erforderlich. Die Einstellung wird mit Hilfe eines Schraubenziehers N°1 vorgenommen, indem der gelbe Drehknopf „Stand-by“ angepasst wird. In der maximalen Position ist die Sensibilität am kleinsten (20W). Nicht auf den Schraubenzieher drücken.

VORSICHT: Auch im Standby Modus liegen am Ausgang zeitweise 230V an!

AKTIVIERUNG / DEAKTIVIERUNG VON FUNKTIONEN

Folgende Funktionalitäten der AJ Serie können vom Anwender frei aktiviert oder deaktiviert werden:

1. Alarm für bevorstehenden Stopp durch akustisches Signal „Buzzer“ (Beschrieb Seite 17).
2. Algorithmus zur Optimierung der Batterielevensdauer „B.L.O.“ (Beschrieb Seite 20).
3. Alarm für bevorstehenden Stopp durch Spannungsschwankung (Beschrieb Seite 18).

Der aktivierte oder deaktiverte Zustand der Funktionen wird durch den akustischen Signalgeber angedeutet. Dabei muss die Ein/Aus Taste gedrückt gehalten werden, damit die Zustände der Funktionen nach einer bestimmten Zeit, wie in der folgenden Tabelle ersichtlich, angezeigt werden:

- Einfacher kurzer „Bip“ = Funktion aktiviert
- Doppelter kurzer „Bip“ = Funktion deaktiviert

	Funktion	Impulsdauer (auf Ein/Aus)	Grundeinstellung
1.	Akustischer Alarm	5 Sekunden	aktiviert
2.	Optimierung der Batterielevensdauer (B.L.O)	10 Sekunden	deaktiviert
3.	Alarm durch Spannungsschwankung	15 Sekunden	deaktiviert

Der Zustand der Funktion wird gewechselt wenn in den zwei Sekunden nach dem ertönen des akustischen Signalgebers die Taste losgelassen wird.

Um den Zustand der Funktionen zu überprüfen ohne diese zu ändern, muss die Taste Ein/Aus durchgehend gedrückt werden. Nach 20 Sekunden wird der akustische Signalgeber mit einem Dauerton das Ende der Lese-Sequenz anzeigen und wird beim loslassen der Taste beendet.

SICHERHEITEN

Die Wechselrichter AJ sind mit diversen elektronischen Systemen geschützt. Als Schutz gegen Verpolung dient eine Schmelzsicherung. Der AJ 2100-12 enthält keine Schmelzsicherung und ist somit nicht gegen Verpolung geschützt und muss extern abgesichert werden!

Vorsicht, der Wechselrichter ist nicht geschützt gegen einen versehentlichen Anschluss einer anderen Quelle (Netz oder Generator) an den AC Ausgang. Ein solcher Anschluss kann zu einem vollständigen Ausfall des Gerätes führen und sollte auf jeden Fall vermieden werden.

SCHUTZ DER BATTERIE DURCH ABSCHALTEN BEI UNTERSPIANNUNG:

Die Batterie wird vor einer Tiefenentladung durch den Halt des Wechselrichters geschützt, wenn die Spannung ein Level unter $0.87 \cdot U_{nom}$ während 1 Minute erreicht (10.5, 21 oder 42V). Ein akustischer oder Spannungsschwankungsalarm (falls erlaubt) wird während einer Minute aktiviert bevor der Wechselrichter ausschaltet. Der Wechselrichter kann manuell neu gestartet werden.

Er startet automatisch wenn die Batteriespannung wieder über $1.04 \cdot U_{nom}$ liegt (12.5, 25 oder 50V). Der Wechselrichter wird umgehend ausgeschaltet wenn die Batteriespannung unter $0.75 \cdot U_{nom}$ ist (9, 18 oder 36V).

Die nachfolgende Tabelle gibt verschiedene Fehlermöglichkeiten mit deren Folgen und Handhabung wieder:

FEHLER	WIRKUNG	LÖSUNG
Batteriespannung zu tief $0.87 \cdot U_{nom}$	Wechselrichter ist vorübergehend gestoppt. Die grüne LED blinkt.	Nach Wiederanstieg der Batteriespannung schaltet sich der Wechselrichter automatisch wieder ein $1.04 \cdot U_{nom}$
Batteriespannung tiefer als $0.75 \cdot U_{nom}$	Wechselrichter gestoppt. Die grüne Leuchte ist aus.	Das Wiedereinschalten ist erst wieder möglich, wenn die Batterie $0.87 \cdot U_{nom}$ erreicht hat. Kein automatischer Start.
Überhitzung	Der Wechselrichter wurde überlastet. Die grüne LED blinkt.	Automatischer Start des Wechselrichters nachdem dessen Temperatur gesunken ist.
Überspannung der Batterie $1.33 \cdot U_{nom}$	Wechselrichter gestoppt.	Warten Sie bis die Batteriespannung wieder stimmt. Eine zu hohe Spannung kann den Wechselrichter zerstören. Automatischer Start wenn die Batteriespannung wieder bei $1.25 \cdot U_{nom}$ ist.
Kurzschluss am Ausgang des Wechselrichters	Wechselrichter gestoppt.	Kurzschluss entfernen (Installation kontrollieren). Wechselrichter mit der Taste ON/OFF einschalten.
Überlastung des Wechselrichters	Wechselrichter gestoppt.	Den Wechselrichter in den Grenzen seiner Nominalleistung verwenden. Regelmässiger Betrieb mit Überlast verkürzt die Lebensdauer! Wechselrichter mit der Taste ON/OFF einschalten.
Anschluss der Batterie mit falscher Polarität	Interne Sicherung zerstört.	Wechselrichter zurück zum Händler zur Kontrolle !

BATTERIELEBENSDAUER-OPTIMIERER (BATTERY LIFETIME OPTIMIZER –BLO):



Ein Batteriezyklus der sich immer zwischen 0-30% bewegt ist häufig der vorzeitige Ausfallsgrund einer Batterie. Dieser Fall liegt vielfach bei kleinen Solarinstallationen vor.

Um die Lebensdauer der Batterie in solchen Fällen zu verbessern, sind die Wechselrichter der Serie AJ mit einer automatischen Anpassung der Abschaltsschwelle ausgerüstet. Diese Anpassung zwingt den Anwender seinen Verbrauch so anzupassen dass die Batterie wieder voll aufgeladen wird.

Diese Funktion kann zu jeder Zeit aktiviert oder deaktiviert werden, wie beschrieben auf Seite 19.

Die Funktionsanzeige (grüne LED2 erhältlich nur auf AJ 275-12 bis AJ700-48) leuchtet oder blinkt wenn diese Funktion aktiviert ist. Die Anzahl der

blinkenden Impulse gibt an auf welchem aktuellen Niveau sich die Abschaltsschwelle befindet.

Wenn die Funktionsanzeige durchgehend leuchtet, bedeutet das dass die Anwendung der Batterie im grünen Bereich liegt und diese auch genügend aufgeladen wird. In diesem Fall liegt die Abschaltsschwelle bei $0.87 \cdot U_{nom}$, d.h. 10.5, 21. oder 42V je nach Modell. In diesem Fall haben Sie die grösste Verfügbarkeit der gespeicherten Energie und die Batterie ist weniger anfällig auf einen vorzeitigen Kapazitätsverlust.

STUDER Innotec SA

AJ

Wenn die Funktionsanzeige ein- oder mehrmals blinkt, bedeutet dies eine Einschränkung der Batterieanwendung und dass die Abschaltsschwelle auf einem der Niveaus aus der folgenden Tabelle fixiert wurde (+/- 2%).

12 V	24 V	48 V	LED	Anmerkungen
10.5	21	42	0 x off (ON)	Die Schwelle ist dieselbe wenn der BLO ausgeschaltet ist.
11V	22V	44	1 x off	-
11.4	22.8	45.6	2 x off	Ausgangsschwelle BLO, wird umgehend angewandt wenn die Funktion aktiviert wird.
11.6	23.2	46.4	3 x off	-
11.8	23.6	47.2	4 x off	-
12	24	48	5 x off	-
12.2	24.4	48.8	6 x off	-

Mit dieser Strategie der eingeschränkten Batterieanwendung wird der Anwender dazu aufgefordert den Verbrauch zu minimieren oder die Produktion zu erhöhen, eventuell durch die kurzfristige Anwendung einer zusätzlichen Energiequelle (zusätzlicher Batterielader oder mit einem Generator).

Wenn die Batteriespannung während 2h höher als 2.16V/Element (13V, 26V oder 52V) ist, wird die Abschaltsschwelle progressiv und schrittweise um 33mV/Element (0.4 bei 12V) gesenkt. Dieser Prozess garantiert dass eine durchschnittliche Ladung der Batterie ausreicht (höher als 50%) um dieser eine optimale Lebensdauer zu gewährleisten.

Diese Funktion ist besonders empfehlenswert bei individuellen Solarsystemen in welchen die Batterie so ausgelegt wird das diese die 3-5 fache Tagesproduktion speichern kann.

z.B. ein 200W Solarsystem welches täglich etwa 800Wh produziert mit einer Batterie von 200 bis 300Ah.

Wenn die Batterie so unterdimensioniert ist dass sie bei jedem Zyklus vollständig entladen und wieder aufgeladen wird, ist diese Anpassung der Batterieschwelle möglicherweise nicht wünschenswert und daher die BLO Funktion zu deaktivieren.

UNTERHALT

Die Wechselrichter AJ benötigen keinen Unterhalt. Bei Bedarf kann das Gehäuse mit einem feuchten, nicht nassen Lappen gereinigt werden.

Bei Funktionsstörungen des Wechselrichters sollte dieser sehr gut verpackt zur Kontrolle an den Händler zurückgesandt werden. Dasselbe gilt auch bei jeglicher äusseren Verformung des Gehäuses oder Verletzung der Anschlusskabel. Bei Fehlfunktionen sollten folgende Punkte abgeklärt werden bevor der AJ zum Händler zurückgesandt wird:

- Ist die Batterie geladen und entspricht die Batteriespannung der Eingangsspannung des AJ?
- Sind die angeschlossenen Verbraucher im Leistungsbereich des Wechselrichters?
Ist der Verbraucher defekt oder ist dessen Anlaufstrom zu hoch? (z.B. Kompressor Kühlschränke können mit einem AJ 275-12 nicht betrieben werden).

Wenn trotzdem der Händler kontaktiert werden muss, notieren Sie bitte die folgenden Punkte: *(Die Angaben finden Sie auf der Unterseite oder der Kabelanschlusseite des AJ)*

- Wechselrichtertyp
- Seriennummer des Wechselrichters
- Leistung des Wechselrichters
- Die Nominalspannung des Wechselrichters

Für das Versenden des AJ muss unbedingt auf eine gute Verpackung geachtet werden. Die

STUDER Innotec SA

AJ

Verpackung muss so ausgeführt sein, dass der AJ in einen festen Karton gelegt wird und von allen Seiten, auch unten, von einem Stossdämpfenden Material mit mindestens 5cm Dicke umgeben ist.

Durch mangelhafte Verpackung verursachte Transportschäden werden auf keinen Fall durch die Garantie abgedeckt.

GARANTIEAUSSCHLUSS

Die Garantiedauer beträgt 5 Jahre. Für Schäden, welche durch Anwendungen, Manipulationen, Betriebsfälle und Behandlungen entstehen, welche nicht ausdrücklich in dieser Betriebsanleitung aufgeführt sind, können keine Garantieleistungen gewährt werden.

Nachfolgend eine Liste von Fällen für welche explizit keine Garantie gewährt wird.

- Überspannungen an den Eingängen (z.B. 48V am Batterieeingang eines AJ 275-12).
- Verpolung bei Batterieanschluss (+/- vertauscht).
- In das Gerät eingelaufene Flüssigkeiten oder Oxydation durch Kondensation.
- Anschluss oder Kontakt mit einer externen Stromquelle auf dem Ausgang der Wechselrichter.

- Defekte durch mechanische Einflüsse. (Staub, korrodieren Dampf, Feuchtigkeit, zu hohe Temperature, usw...)
- Nicht ausdrücklich von STUDER INNOTEK autorisierte Änderungen
- Transportschäden, z.B. durch unsachgemässe Behandlung oder Verpackung.

HAFTUNGSAUSSCHLUSS

Die Einhaltung der Betriebsanleitung und der Bedingungen und Methoden der Installation, dem Betrieb, der Verwendung und der Wartung dieser Geräte können von der Firma Studer Innotec SA nicht überwacht werden. Daher übernehmen wir keinerlei Haftung und Verantwortung für Schäden, Verluste und Kosten, die aus fehlerhafter Installation, unsachgemäßem Betrieb oder falscher Verwendung und Wartung entstehen oder in irgendeiner Art und Weise damit zusammenhängen. Ebenso übernehmen wir keine Verantwortung für patentrechtliche Verletzungen oder Verletzungen anderer Rechte Dritter, die aus der Verwendung dieses Gerätes entstehen.

Die Firma Studer Innotec SA behält sich das Recht vor, Änderungen der technischen Daten, des Produkts oder der Betriebsanweisung vorzunehmen.

JT8 FERNSTEUERUNG FÜR AJ 1000-2400

Die Funktionen und Anzeigen der Fernsteuerung sind dieselben wie die im Wechselrichter (siehe Seite 17 Anwendungen).

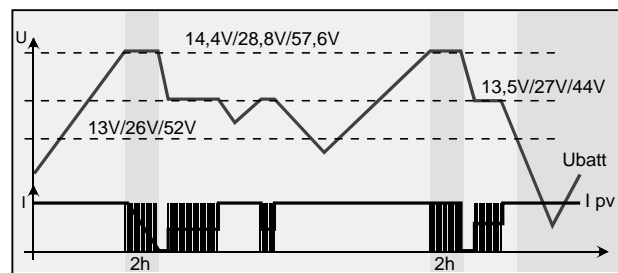
Die Fernsteuerung wird mittels des 10m langen mit der Fernsteuerung gelieferten Kabels angeschlossen. Die Verbindung ist auch mit handelsüblichen Steckern RJ11/6p 1:1 und einer maximalen Kabellänge von 50m möglich.



**MODELLE MIT SOLARLADEREGLER
(OPTION – S)**

Der in den Wechselrichtern AJ mit der Option „S“ eingebaute Solarladeregler ist ausschliesslich nur für den Anschluss von fotovoltaischen Solarmodulen geeignet um damit die Batterien zu laden! Sämtliche anderen Strom- oder Spannungsquellen zum Laden der Batterien benötigen eine separate Ladeeinrichtung und dürfen auf keinen Fall an den AJ angeschlossen werden. Die Leerlaufspannung der Solarmodule darf im Maximum 23V für die 12V-Modelle, max. 46V für die 24V-Modelle und max. 90V für die 48V-Modelle des AJ betragen. Der Shunt-Laderegler arbeitet nach dem Prinzip I/U/U₀ mit Schwebeladeeinrichtung und garantiert somit immer die beste Ladung und Lebensdauer der Batterie. Die Funktion des Ladereglers wird mittels der orangefarbenen Leuchtdiode angezeigt:
LED leuchtet: Ladung mit maximalem Strom.
LED gelöscht: Das Solarmodul ist nicht oder falsch angeschlossen; es ist nicht verschattet oder die Batterie ist vollgeladen.

LED blinkt: Die Batterie ist mit mehr als 95% geladen und der Laderegler arbeitet im Schwebelademodus. (Die Blinkfrequenz der LED variiert entsprechend der Ladeleistung, dem Verbrauch und dem Zustand der Batterie).



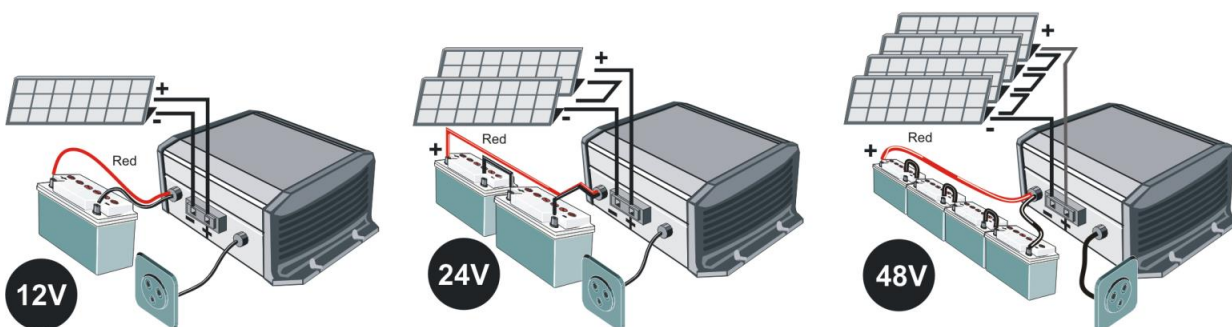
HINWEIS: Da der im AJ integrierte Solarladeregler eine PWM-Regelung hat, dürfen nur Solarmodule mit 36 oder 72 Zellen angeschlossen werden (12V oder 24V Off-Grid Module). Für alle anderen Arten von Solarmodulen wird ein MPPT-Solarladeregler benötigt (z.B. VarioTrack oder VarioString).

ANSCHLUSS DES SOLARMODULE AN AJ 2100/2400-S :

An den Wechselrichtern AJ 2100/2400-S werden die Solarmodule über eine Abzweigdose an das bereits im Gerät verdrahtete Kabel (2 x 6mm²) angeschlossen. Das Kabel am Eingang „SOLAR“ muss entsprechend folgenden Farben angeschlossen werden.

- Braun oder rot = Pluspol (+)
- Blau oder Schwarz = Minuspol (-)

BEISPIEL



TECHNISCHE DATEN

Modell	AJ 275-12	AJ 350-24	AJ400-48	AJ 500-12	AJ 600-24	AJ 700-48	
Wechselrichter							
Nominalspannung der Batterie	12Vdc	24Vdc	48Vdc	12Vdc	24Vdc	48Vdc	
Eingangsspannungsbereich	10.5 – 16Vdc (24Vdc max.)	21 – 32Vdc (44Vdc max.)	42 – 64Vdc (24Vdc max.)	10.5 – 16Vdc (20Vdc max.)	21 – 32Vdc (40Vdc max.)	42 – 64Vdc (24Vdc max.)	
Dauerleistung bei 25°C	200VA	300VA	300VA	400VA	500VA	500VA	
Leistung 30 Min. bei 25°C	275VA	350VA	400VA	500VA	600VA	700VA	
Leistung 5 Min. bei 25°C	350VA	500VA	600VA	575VA	675VA	900VA	
Leistung 5 Sek. bei 25°C	450VA	650VA	1000VA	1000VA	1200VA	1400VA	
Max. Asymmetrische Last	150VA	150VA	200VA	250VA	300VA	300VA	
Wirkungsgrad max. (%)	93%	94%	94%	93%	94%	94%	
Cos φ max.	0.1 – 1 bis 200VA	0.1 – 1 bis 300VA	0.1 – 1 bis 300VA	0.1 – 1 bis 400VA	0.1 – 1 bis 500VA	0.1 – 1 bis 500VA	
Lasterkennung	2W (nur mit option –S)			Einstellbar: 1 → 20W			
Kurzschlussstrom 2 Sek.	2.3Aac (4.6Aac*)	3.2Aac (6.4Aac*)	4.6Aac (9.2Aac*)	5.2Aac (10Aac*)	5.7Aac (11.4Aac*)	7Aac (14Aac*)	
Ausgangsspannung	Sinus 230Vac (120Vac*) ±5%						
Frequenz	50Hz (60Hz*) ±0.05% (quarzugesteuert)						
Max. Verzerrung TDH (ohmsche Last)	< 5% (Pnom. & Uin nom.)						
Verbrauch "Stand-by"	0.3W**	0.5W**	1.1W**	0.4W	0.6W	1.5W	
Verbrauch „EIN“ bei Leerlauf	2.4W	3.5W	5.2W	4.6W	7.2W	12W	
Übertemperaturschutz (±5°C)	Stop bei 75°C, automatische Restart bei 70°C						
Kurzschlusschutz	Automatischer Stop nach 2 Versuchen						
Verpolungsschutz durch interne Sicherung	60A	40A	25A	120A	90A	60A	
Batterie Tiefentladeschutz protection	Stop bei 0.87 x Unom, automatische Restart bei Unom.						
Max. Batteriespannung	Stop bei >1.33 x Unom, automatische Restart bei < Umax						
Akustische Warnung	Vor Entladeschluss oder Übertemperatur Abschaltung						
Allgemeine Daten							
Gewicht	2.4 kg	2.6 kg		4.5 kg			
Abmessung HxBxL (mm)	142x163x84			142x240x84			
IP Schutzart	IP 30 nach DIN 40050						
Zertifikat ECE-R 10 (E24)	•	•	Nicht verfügbar	•	•	Nicht verfügbar	
CE Normen	EN 61000-6-1, EN 61000-6-3, EN 55014, EN 55022, EN 60950-1						
Arbeitstemperatur	-20°C bis +50°C						
Relative Luftfeuchtigkeit bei Betrieb	95% nicht kondensierend						
Ventilator	Ab 45°C ±5°C						
Geräuschpegel	< 45 dB (Ventilatoren)						
Garantie	5 Jahre						
Änderung der Ausgangsleistung	-1.5%/°C ab +25°C						
Batterie Kapazität	> 5 x Pnom/Unom (empfohlener Wert Ah)						
Kabellänge (Batterie/AC)	1.2m /1m			1.5m / 1m			
Optionen							
Solarladeregler	Spannung max.	25Vdc	45Vdc	90Vdc	25 Vdc	45Vdc	90Vdc
	Ladestrom max.	10Aac			15Aac		
	Prinzip	3 Stufen (I/U/UO) Schwabeladung					
	Absorptionsspannung	14.4Vdc	28.8Vdc	57.6Vdc	14.4Vdc	28.8Vdc	57.6Vdc
	Schwabeladungsspannung	13.6Vdc	27.2Vdc	54.4Vdc	13.6Vdc	27.2Vdc	54.4Vdc
Eingang für Fernsteuerung (RCM)	•	•	•	•	•	•	

Modell	AJ 1000-12	AJ 1300-24	AJ2100-12	AJ 2400-24	
Wechselrichter					
Nominalspannung der Batterie	12Vdc	24Vdc	12Vdc	24Vdc	
Eingangsspannungsbereich	10.5 – 16Vdc (24Vdc max.)	21 – 32Vdc (44Vdc max.)	10.5 – 16Vdc (20Vdc max.)	21 – 32Vdc (40Vdc max)	
Dauerleistung bei 25°C	800VA	1000VA	2000VA	2000VA	
Leistung 30 Min. bei 25°C	1000VA	1300VA	2100VA	2400VA	
Leistung 5 Min. bei 25°C	1200VA	2000VA	2450VA	2800VA	
Leistung 5 Sek. bei 25°C	2200VA	2800VA	5000VA	5200VA	
Max. Asymmetrische Last	500VA	600VA	1000VA	1200VA	
Wirkungsgrad max. (%)	93%	94%	92%	94%	
Cos φ max.	0.1 – 1 bis 800VA	0.1 – 1 bis 1000VA	0.1 – 1 bis 2000VA	0.1 – 1 bis 2000VA	
Lasterkennung	Einstellbar: 1 → 20W				
Kurzschlussstrom 2 Sek.	10Aac (20Aac*)	13Aac (26Aac*)	26Aac (52Aac*)	30Aac (60Aac*)	
Ausgangsspannung	Sinus 230Vac (120Vac*) ±5%				
Frequenz	50Hz (60Hz*) ±0.05% (quarzgesteuert)				
Max. Verzerrung TDH (ohmsche Last)	< 5% (Pnom. & Uin nom.)			< 3% (Pnom. & Uin nom.)	
Verbrauch "Stand-by"	0.7W	1.2W	0.7W	1.2W	
Verbrauch „EIN“ bei Leerlauf	10W	13W	16W	16W	
Übertemperaturschutz (±5°C)	Stop bei 75°C, automatische Restart bei 70°C				
Kurzschlusschutz	Automatischer Stop nach 2 Versuchen				
Verpolungsschutz durch interne Sicherung	125A	100A	Nicht geschützt	150A	
Batterie Tiefentladeschutz protection	Stop bei 0.87 x Unom, automatische Restart bei Unom.				
Max. Batteriespannung	Stop bei >1.33 x Unom, automatische Restart bei < Umax				
Akustische Warnung	Vor Entladeschluss oder Übertemperatur Abschaltung				
Allgemeine Daten					
Gewicht	8.5 kg		19 kg	18 kg	
Abmessungen HxBxL (mm)	142x428x84		273x399x117		
IP Schutzart	IP 30 nach DIN 40050		IP 20 nach DIN 40050		
Zertifikat ECE-R 10 (E24)	•	•	•	•	
CE Normen	EN 61000-6-1, EN 61000-6-3, EN 55014, EN 55022, EN 60950-1				
Arbeitstemperatur	-20°C bis +50°C				
Relative Luftfeuchtigkeit bei Betrieb	95% nicht kondensierend				
Ventilator	Ab 45°C ±5°C				
Geräuschpegel	< 45 dB (Ventilatoren)				
Garantie	5 Jahre				
Änderung der Ausgangsleistung	-1.5%/°C ab +25°C				
Batterie Kapazität	> 5 x Pnom/Unom (empfohlener Wert Ah)				
Kabellänge (Batterie/AC)	1.5m /1m		1.7m / 1m		
Optionen					
Solarladeregler	Spannung max.	25Vdc	45Vdc	25Vdc	45 Vdc
	Ladestrom max.	25Aac		30Aac	
	Prinzip	3 Stufen (I/U/UO) Schwabeladung			
	Absorptionsspannung	14.4Vdc	28.8Vdc	14.4Vdc	28.8Vdc
	Schwebeladungsspannung	13.6Vdc	27.2Vdc	13.6Vdc	27.2Vdc
Fernbedienung JT8 mit 5 m langem Kabel	•	•	•	•	

INSTRUCTIONS EN FRANÇAIS

INTRODUCTION

Les onduleurs de la série AJ ont été conçus de manière à répondre aux besoins tant industriels que domestiques. Ils satisfont aux plus hautes exigences de confort, de sécurité et de fiabilité.

Chaque appareil conçu pour le réseau électrique 230 V 50 Hz peut s'y brancher sans aucun problème jusqu'à la puissance nominale de l'onduleur AJ.

La série AJ est la solution idéale comme source de tension partout où le réseau public n'est pas présent.

Ce document fait partie intégrante de l'onduleur, il doit être transmis à chaque livraison et tenu à disposition de toute personne travaillant sur l'installation.

En cas de doute ou de question, n'hésitez pas à contacter votre vendeur spécialisé qui saura vous renseigner.

MISE EN GARDE

Un montage incorrect peut endommager l'appareil, entraîner un mauvais fonctionnement ou mettre en danger les utilisateurs.

L'appareil en fonction génère de hautes tensions pouvant être fatales en cas de contact. Le travail sur l'onduleur doit faire l'objet d'une attention toute particulière. Les installations doivent être exécutées par du personnel compétent et répondre aux normes en vigueur.

AUCUNE PIÈCE À L'INTÉRIEUR DE L'ONDULEUR NE DOIT ÊTRE MANIPULÉE PAR L'UTILISATEUR.

L'ouverture de l'onduleur ou l'utilisation non conforme de l'onduleur entraîne la perte immédiate de la garantie.

L'AJ est prévu pour une alimentation avec des batteries au plomb uniquement.

Aucun appareil générateur de courant ou de tension (réseau public, génératrice, ...) ne doit être connecté à la sortie de l'onduleur car il peut entraîner la destruction de celui-ci.

Pour l'utilisation des batteries, veuillez-vous conformer aux directives d'utilisation du fabricant.

INSTALLATION

L'onduleur sinusoïdal AJ est un appareil électronique ; quelques précautions sont nécessaires lors de sa mise en service :

Lieu de montage de l'onduleur

A l'abri des personnes non autorisées, spécialement des enfants.

Dans une pièce sèche (max. 95 % d'humidité) et dans tous les cas sans condensation.

Pas directement au-dessus des batteries.

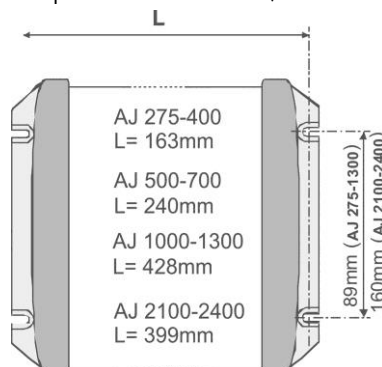
Aucun matériel facilement inflammable ne doit être stocké dessous ou à proximité de l'appareil.

L'aération ne doit pas être obstruée et une distance de 10 cm de chaque côté est nécessaire à la bonne évacuation de la chaleur interne.

Fixation de l'onduleur

L'onduleur doit être fixé sur une surface ininflammable à l'aide de vis de 4 mm de diamètre maximum, pour les AJ 275 - AJ 1300 et de vis de 8mm maximum pour les AJ 2100 et 2400, dans les quatre rainures prévues à cet effet. Les vis de fixation ne sont pas fournies avec l'onduleur.

La position de l'onduleur n'est pas importante: elle peut être murale, de table ou suspendue.



RACCORDEMENT

Le raccordement doit faire l'objet d'une attention toute particulière. De celui-ci dépend le bon fonctionnement de toute l'installation. Les données techniques ou la description de raccordement se trouvent soit sur un des côtés inférieurs de l'appareil soit du côté de l'embranchement du câble. Raccordez d'abord les consommateurs ou montez une prise de manière à éviter tout contact ultérieur une fois la tension 230 V présente. L'installation doit être exécutée par des personnes autorisées.

RACCORDEMENT DES CONSOMMATEURS

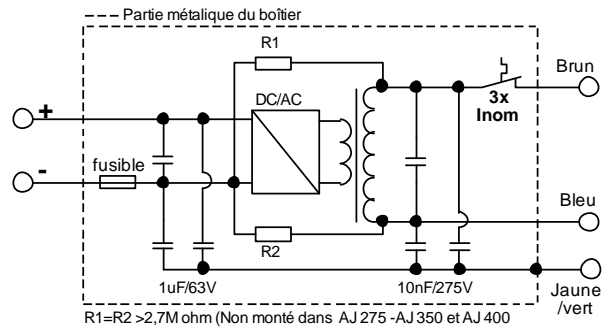
L'onduleur AJ est livré avec le câble 230 V pour alimenter les consommateurs. Celui-ci doit être raccordé en respectant les couleurs :

- Jaune-vert : Terre
- Brun : Phase
- Bleu : Neutre

Une fois les consommateurs raccordés, veillez à ce qu'ils soient éteints avant de brancher la batterie.

Remarque : Un onduleur constitue une source de tension indépendante du réseau à considérer de la même manière qu'une génératrice. La phase et le neutre présentent une tension de 230V entre eux. La tension phase / terre et neutre / terre est fixée à 115V par un diviseur capacitif. Selon les prescriptions locales ou les besoins, (par exemple utilisation d'un disjoncteur à courant de défaut) un équipotentiel terre / neutre est réalisé en reliant ensemble les fils neutre et terre (jaune – vert et bleu).

SCHÉMA ÉQUIVALENT



RACCORDEMENT DE LA BATTERIE

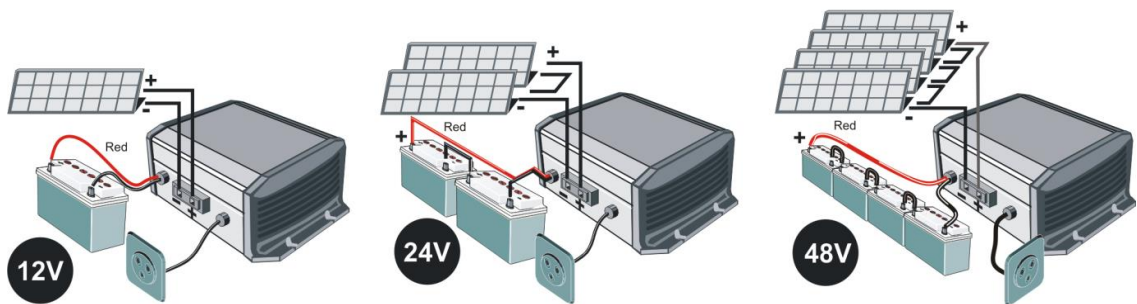
Assurez-vous qu'aucun contact avec des personnes ne soit possible sur le côté 230 V avant de raccorder la batterie.

Les câbles batterie sont livrés avec l'onduleur et sont déjà raccordés à l'intérieur de celui-ci. Raccordez la batterie en faisant très attention à la polarité. L'onduleur, est protégé de l'inversion de polarité par un fusible, à l'exception de l'AJ 2100-12. Cependant, si la polarité est inversée, l'onduleur doit être retourné en usine pour contrôle.

Raccordez la batterie en utilisant les câbles aux couleurs suivantes :

- Câble NOIR : Pôle négatif (-)
- Câble ROUGE : Pôle positif (+).

Pour les gammes de 275-12 (-S) à 700-48 (-S), un câble bicolore est utilisé. Prendre la couleur dominante comme couleur de référence. En branchant la batterie il y a une étincelle en raison du chargement du condensateur interne (danger d'explosion !). Un fusible de sécurité incendie doit être monté sur la batterie.



STUDER Innotec SA

Vérifiez le serrage des câbles.

Dans la mesure du possible ne rallongez pas les câbles de batteries fournis. Le fait de rallonger les câbles de batterie peut augmenter les pertes et provoquer un dysfonctionnement de l'onduleur.

Une fois l'onduleur branché sur la batterie, la tension 230 V est présente à la sortie de l'onduleur.

UTILISATION

COMMANDE ET INDICATEURS



Bouton de commande marche / arrêt (on/off)

Un bouton de commande est accessible sur l'onduleur. Il permet de l'enclencher ou de le déclencher. Utilisez cette fonction pour économiser l'énergie des batteries en mettant l'appareil hors fonction lorsque vous ne l'utilisez pas.

Note : Le régulateur solaire reste en fonction même lorsque l'appareil est arrêté.



Indicateur "Fonctionnement" (LED verte 1)

Un indicateur lumineux vert placé sur l'onduleur indique le mode de fonctionnement:

Allumé : La tension 230 V est présente à la sortie ; l'onduleur est en fonction.

Clignotant :
- - - - - L'onduleur est en mode stand-by voir p 29.

_____ La tension 230 V est coupée momentanément suite à une alarme; l'onduleur se remettra automatiquement en fonction dès que la cause de l'alarme aura disparue (voir tableau des fautes p. 31)

AJ

Eteint : La tension 230 V n'est pas présente à la sortie ; l'onduleur est éteint.



Indicateur "BLO" (LED verte 2)

(LED présente uniquement sur les AJ 275-12 à 700-48)

Cet indicateur lumineux est allumé seulement lorsque la fonction " Battery Lifetime Optimizer – B.L.O " (description en p. 31) est activée (voir p. 30 pour activation/désactivation des fonctions).

INDICATEUR SONORE

L'onduleur AJ dispose d'un indicateur sonore qui signale les cas suivants :

Son intermittent :

L'onduleur est en présence d'une faute et va couper la tension de sortie.

Fautes possibles :

Surchauffe :

L'indicateur sonne 3°C avant l'arrêt de l'onduleur. Diminuez la consommation afin d'abaisser la température de l'onduleur et ainsi éviter l'arrêt.

Sous tension de batterie :

L'indicateur sonne une minute avant la coupure. Si la tension de batterie remonte (grâce à une diminution de la consommation), la tension de sortie ne sera pas coupée.

Son continu de deux secondes :

Vous avez appuyé sur le bouton ON/OFF pour redémarrer l'onduleur. La tension de sortie est immédiatement présente à la sortie après le signal sonore.

L'indicateur sonore peut être désactivé selon la procédure en p. 30.

ALARME PAR FLUCTUATION DE TENSION

Lorsque l'indicateur sonore est désactivé ou lorsque l'appareil est hors de portée acoustique, il peut être utile d'être averti de l'arrêt imminent de l'onduleur en cas de "sous tension de batterie" ou de "surchauffe". Si cette fonction est activée (voir p. 30 pour activation/désactivation des fonctions), la tension de sortie fluctuera légèrement (max. -

STUDER Innotec SA

AJ

20%) faisant ainsi varier l'intensité lumineuse des lampes éventuellement allumées, indiquant ainsi l'imminence de l'arrêt de la fourniture d'énergie. L'utilisateur pourra, le cas échéant, choisir de diminuer sa consommation afin de prolonger l'usage de fonctions prioritaires (éclairage par exemple).

minimale (20 W). Ne pas appuyer sur le tournevis.

ATTENTION

En fonctionnement stand-by le 230V est présent par intermittence à la sortie.

MODÈLES AVEC STAND-BY

Les onduleurs dès l'AJ 500-12 sont équipés d'un système stand-by (aussi disponible pour les gammes 275 / 350 / 400 avec l'option -S).

Le stand-by est un système d'économie d'énergie qui déclenche l'onduleur par intermittence lorsqu'aucun consommateur n'est détecté. Dans ce mode, l'indicateur de fonctionnement (LED verte 1) clignote, indiquant la présence par intermittence de la tension.

Le seuil de détection est ajusté d'usine à une valeur de 2W environ. Sur les modèles de puissance supérieure à 400W, il est possible de désactiver cette fonction ou d'en modifier le seuil en ajustant le bouton de réglage jaune marqué stand-by. L'ajustement du niveau de détection s'effectue comme suit : éteindre tous les consommateurs, tourner le bouton rotatif vers la droite (sens des aiguilles d'une montre) jusqu'à ce que la LED 1 clignote, allumer le plus petit consommateur (par ex. un chargeur pour tél. portable), tourner doucement le bouton rotatif vers la gauche jusqu'à ce que la LED 1 s'allume en continu. Contrôler que l'onduleur se mette en mode stand-by quand vous enlevez la charge. Si dans ce cas le mode standby-by ne s'active pas, cela signifie que la charge est trop petite pour être détectée.

Si le stand-by n'est pas souhaité, tourner le bouton complètement à droite.

La puissance minimale détectée peut être ajustée entre 1 et 20 W. Dans la plupart des installations, ce réglage n'est pas utile. Le réglage se fait à l'aide d'un tournevis plat n°1 en ajustant le bouton de réglage jaune marqué «stand-by» sur l'onduleur. Dans la position maximale à droite, la sensibilité est

ACTIVATION / DÉSACTIVATION DE FONCTIONS:

Les fonctionnalités suivantes des onduleurs de la gamme AJ peuvent être librement activées ou désactivées par l'utilisateur :

1. Alarme d'arrêt imminent par signallement acoustique "buzzer" (description en p. 28).
2. Algorithme d'optimisation de la durée de vie de la batterie "B.L.O." (description en p. 31).
3. Alarme d'arrêt imminent par fluctuation de tension (description en p. 28).

Les états activé ou désactivé des fonctions sont signalés par le buzzer lors d'une pression continue sur la touche marche/arrêt après une durée déterminée pour chaque fonction selon le tableau ci-dessous :

- Simple « bip » court = fonction activée
- Double « bip » court = fonction désactivée

	Fonction	Durée d'impulsion (sur marche/arrêt)	Réglage par défaut
1.	Alarme acoustique	5 secondes	Activé
2.	Optimisation de durée de vie de batterie (B.L.O.)	10 secondes	Désactivé
3.	Alarme par fluctuation de tension	15 secondes	Désactivé

L'état de la fonction est inversé si la touche marche arrêt est relâchée dans les deux secondes qui suivent le signallement par le buzzer.

Pour consulter l'état des fonctions sans effet ni changement de programmation de celles-ci, il est possible de maintenir la touche marche/arrêt pressée. Au-delà de 20 secondes, le buzzer s'enclenchera en continu pour signaler la fin de la séquence de lecture. Celui-ci s'arrêtera au relâchement de la touche.

SÉCURITÉS

L'onduleur AJ est protégé de manière électronique. Il est protégé contre les inversions de polarité par un fusible interne, à l'exception du modèle AJ 2100-12 qui doit être protégé par un fusible externe. Le prochain tableau donne les divers cas possibles de faute et leurs conséquences.

Attention, l'onduleur n'est pas protégé contre une connexion accidentelle d'une autre source (réseau public ou génératrice) sur la sortie AC. Une telle connexion risque de provoquer une défaillance majeure de l'onduleur et doit impérativement être évitée.

PROTECTION DE LA BATTERIE PAR DÉCONNEXION EN TENSION BASSE :

La batterie est protégée d'une décharge excessive par l'arrêt de l'onduleur si sa tension atteint un seuil inférieur à $0.87 \cdot U_{nom}$ (10.5, 21 ou 42V) durant plus de 1 minute. Une alarme sonore et/ou une fluctuation de tension (si autorisé) est activée durant 1 minute avant l'arrêt de l'onduleur. L'onduleur devra être manuellement redémarré.

Il redémarrera automatiquement si la tension de batterie retrouve une valeur supérieure à $1.04 \cdot U_{nom}$ (12.5, 25 ou 50 V).

L'onduleur sera immédiatement arrêté (sans délai) si la tension de batterie est inférieure à $0.75 \cdot U_{nom}$ (9, 18 ou 36 V).

Le tableau ci-dessous indique les causes possibles de l'arrêt de l'onduleur

CAUSE	CONSEQUENCE	RESOLUTION
Tension de batterie basse <0.87*Unom	Onduleur stoppé momentanément, l'indicateur vert 1 clignote.	Démarrage automatique dès que la tension de batterie sera remontée à 1.04*Unom.
Tension batterie basse <0.75*Unom	Onduleur stoppé indicateur vert 1 éteint	Redémarrage manuel possible dès que la tension batterie est >0.87*Unom
Surchauffe	Onduleur stoppé momentanément, l'indicateur vert 1 clignote.	Démarrage automatique dès que la température de l'appareil aura baissé.
Surtension batterie >1.33*Unom	Onduleur stoppé	Attendre que la tension de batterie soit à nouveau correcte. Une tension trop élevée peut endommager l'onduleur. Redémarrage automatique dès que la tension de batterie sera redescendue à 1.25*Unom
Court-circuit en sortie	Onduleur stoppé	Supprimez le court-circuit. Appuyer sur le bouton ON/OFF pour redémarrer l'onduleur.
Surcharge	Onduleur stoppé	Utilisez l'onduleur dans les limites de sa puissance nominale. Une utilisation prolongée ou régulière en surcharge diminuera sa durée de vie. Appuyer sur le bouton ON/OFF pour redémarrer l'onduleur.
Inversion de polarité de la batterie	Fusible interne détruit	Retour en usine pour test.

OPTIMISEUR DE DURÉE DE VIE DE BATTERIE (BATTERY LIFETIME OPTIMIZER – B.L.O.) :



Le cyclage d'une batterie étant en permanence dans un état de charge allant de 0 à 30% est souvent la cause de défaillances prématurées des batteries. Ce cas de figure est particulièrement fréquent dans les petites installations solaires individuelles.

Afin d'améliorer la durée de vie des batteries dans ces situations, les onduleurs de la famille AJ disposent d'un réajustage automatique du seuil de déconnexion en tension. Ce réajustage force l'utilisateur à adapter sa consommation de manière à permettre une recharge complète de la batterie.

Cette fonction peut être activée ou désactivée en tout temps, selon la procédure mentionnée p. 30.

Un témoin lumineux (LED verte 2 uniquement disponible sur les AJ 275-12 (-S) à 700-48(-S)) est

allumé ou clignote lorsque cette fonction est activée. Le nombre de clignotement indique le niveau de tension de déconnexion actuellement appliqué.

Si ce témoin lumineux est allumé en continu, ceci indique que l'usage de la batterie est correct et que celle-ci a été suffisamment rechargée. Dans ce cas le seuil de déconnexion est fixé à 0.87*Unom soit 10.5, 21 ou 42 V selon le modèle. Cela signifie également que vous avez la meilleure disponibilité de votre stock d'énergie et que la batterie est moins sujette à une dégradation prématurée.

Si le témoin lumineux clignote une ou plusieurs fois consécutives, ceci signifie une restriction d'usage de la batterie et un seuil de

STUDER Innotec SA

déconnexion fixé au niveau mentionné dans le tableau en page suivante (+/- 2%).

12 V	24 V	48 V	LED	Remarques
10.5	21	42	0 x off (ON)	Ce seuil est également celui utilisé lorsque le « B.L.O » est désactivé
11V	22V	44	1 x off	-
11.4	22.8	45.6	2 x off	Seuil initial du B.L.O. utilisé immédiatement après l'activation de la fonction
11.6	23.2	46.4	3 x off	-
11.8	23.6	47.2	4 x off	-
12	24	48	5 x off	-
12.2	24.4	48.8	6 x off	-

Cette stratégie de restriction d'usage de la batterie invite l'utilisateur à réduire sa consommation ou à augmenter sa production par l'ajout éventuel et temporaire d'une autre source d'énergie (chargeur additionnel sur une génératrice de secours par exemple).

Lorsque la tension de batterie est supérieure à $1.08 \cdot U_{nom}$ (13 V, 26 V, 52 V) durant 2 h, le seuil de déconnexion est progressivement abaissé par pas de 33mV/cellule (0,4V @ 12 V). Ce processus garantit que la charge moyenne de la batterie est suffisante (plus de 50%) pour assurer une durée de vie optimale de celle-ci. Cette fonction est particulièrement utile dans les systèmes solaires individuels pour lesquels la batterie est en générale dimensionnée pour stocker 3 à 5 x la production moyenne journalière.

Par exemple, un système solaire de 200 W crête produisant approximativement 800 Wh/jour connecté à une batterie 12 V de 200 à 300 Ah.

AJ

Si la batterie est sous-dimensionnée de tel sorte qu'elle soit complètement chargée et déchargée à chaque cycle, il est possible que la restriction d'usage imposée par un seuil de déconnexion élevé ne soit pas souhaitable, auquel cas, il est recommandé de désactiver le B.L.O.

MAINTENANCE

Les onduleurs de la série AJ ne nécessitent aucun entretien particulier. Le boîtier peut être nettoyé avec un chiffon légèrement humidifié. Si un dysfonctionnement ou une déformation mécanique de la boîte ou des câbles devait apparaître, l'onduleur devrait être envoyé, soigneusement emballé dans son emballage d'origine, au fournisseur pour contrôle. Avant de renvoyer l'onduleur, veuillez contrôler les points ci-dessous.

- La batterie est chargée et correspond à la tension nominale d'entrée de l'appareil.
- Les consommateurs ne présentent aucun défaut ou surcharge pour l'onduleur. (Pour s'en assurer, débrancher les consommateurs).

Si toutefois vous deviez prendre contact avec votre revendeur, veuillez noter les points suivants avant d'appeler :

(Vous trouverez ces indications sur l'étiquette au-dessous de l'onduleur ou du côté de l'embranchement des câbles)

- Le type exact de l'onduleur
- Le numéro de série
- La puissance de l'onduleur
- La tension nominale d'entrée de l'onduleur

Dans le cas d'un renvoi dans un carton autre que celui d'origine, l'onduleur doit être mis dans un carton rigide et être bien protégé de tous côtés ainsi que dessous une couche isolante antichoc d'au moins 5cm d'épaisseur. Une mauvaise protection peut causer des dommages à l'onduleur lors du transport. Les dégâts causés lors du transport ne sont pas couverts par la garantie.

EXCLUSION DE LA GARANTIE

La garantie est de 5 ans. Elle ne couvre pas les cas de défauts survenus lors d'un usage non conforme à la description du manuel d'instructions ou non décrit par celui-ci, ou de tout autre usage inapproprié, notamment pour les onduleurs les événements suivants :

- Inversion de la polarité sur l'entrée batterie.
- Tension inappropriée sur les entrées (surtension).
- Mise en contact de la sortie avec une autre source de tension tel que réseau public ou générateur.
- Déformation mécanique.
- Mise en contact avec un liquide ou oxydation due à la condensation. Usage dans un environnement inadéquat. (poussière, vapeur corrosive, humidité, température élevée, etc.)

EXCLUSION DE LA RESPONSABILITÉ

La pose, la mise en fonction, l'utilisation, la maintenance et le service ne peuvent pas faire l'objet d'une surveillance par la société Studer Innotec SA. Pour cette raison, nous déclinons toute responsabilité pour les dommages, les coûts ou les pertes résultantes d'une installation non conforme aux prescriptions, d'un fonctionnement défectueux ou d'un entretien déficient.

L'utilisation des onduleurs Studer relève dans tous les cas de la responsabilité du client.

Cet appareil n'est pas conçu ni garanti pour l'alimentation d'installations destinées à supporter la vie ou toute autre installation critique comportant des risques potentiels de dégâts à l'homme ou à l'environnement. Nous n'assumons en outre aucune responsabilité pour les violations de droits de brevets ou d'autres droits de tiers résultant de l'utilisation de l'onduleur.

Studer Innotec SA se réserve le droit de toute modification sur les produits sans communication préalable.

JT8 - COMMANDE À DISTANCE POUR AJ 1000 À 2400

Les fonctions de la commande à distance sont identiques aux fonctions disponibles sur l'onduleur (voir p. 28 "Utilisation").

La commande à distance doit être raccordée à l'onduleur à l'aide du câble d'origine Studer (10 m) ou tout autre câble RJ11/6p 1:1 jusqu'à une longueur max. de 50 m.



MODÈLES AVEC CHARGEUR SOLAIRE (OPTION – S)

Le régulateur de charge à disposition dans l'onduleur AJ est destiné exclusivement à la charge de batteries par des modules photovoltaïques. Toute autre source de courant nécessite l'usage d'un régulateur de charge séparé, adapté à cette source. La tension à vide des modules solaires doit être de 23 V maximum pour les applications 12 V, de 46 V maximum pour les applications 24 V, et de 90 V maximum pour les applications 48 V.

Raccordez tout d'abord l'onduleur à la batterie avant de raccorder le module photovoltaïque.

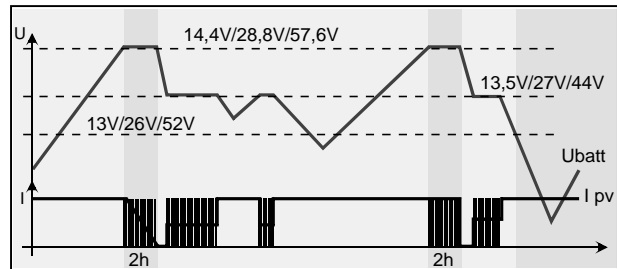
Le mode de réglage est de type I/U/Uo ("floating") à découpage shunt et garantit des conditions de charge optimales pour la durée de vie de la batterie.

L'indicateur solaire (LED jaune) indique le mode de fonctionnement :

- Allumé:** La charge solaire est maximale.
- Eteint:** Le générateur solaire n'est pas branché ou la batterie est complètement chargée ou le

module photovoltaïque n'est pas illuminé.

Clignotante: La batterie est chargée à plus de 95 % et le chargeur est en mode "floating" pour compléter la charge. La fréquence de clignotement varie en fonction de la capacité de batterie et de la puissance du générateur solaire.



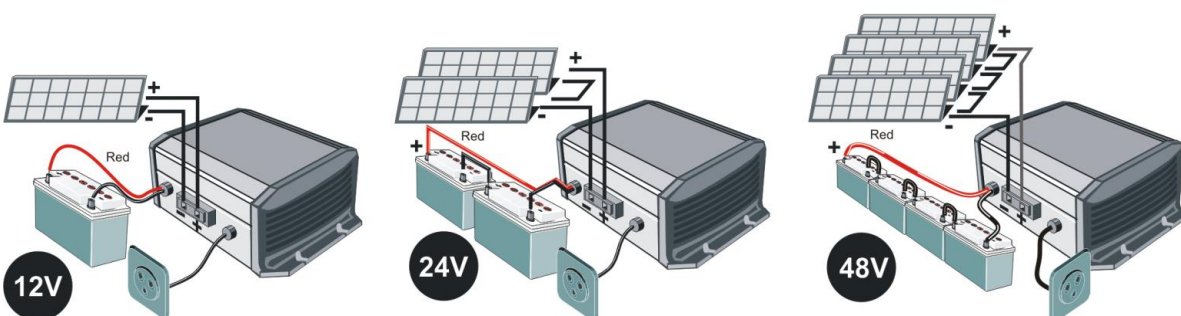
NOTE : Comme le régulateur solaire intégré à l'AJ est de type PWM, il n'est autorisé de brancher que des panneaux 36 ou 72 cellules (12V ou 24V respectivement). Tout autre type de panneaux nécessitera un régulateur MPPT (p.ex VarioTrack ou VarioString).

RACCORDEMENT DES MODULES SUR AJ 2100/2400-S :

Pour les onduleurs AJ 2100/2400-S, le connecteur d'entrée des modules solaires est remplacé par un câble (2 x 6 mm²) préinstallé. Le raccordement se fait via une boîte de dérivation.

- Positif (+) sur le fil brun ou rouge
- Négatif (-) sur le fil bleu ou noir

EXEMPLES DE MONTAGE



DONNÉES TECHNIQUES

Modèle	AJ 275-12	AJ 350-24	AJ400-48	AJ 500-12	AJ 600-24	AJ 700-48	
Onduleur							
Tension nominale d'entrée	12Vdc	24Vdc	48Vdc	12Vdc	24Vdc	48Vdc	
Plage de tension d'entrée	10.5 – 16Vdc (24Vdc max.)	21 – 32Vdc (44Vdc max.)	42 – 64Vdc (24Vdc max.)	10.5 – 16Vdc (20Vdc max.)	21 – 32Vdc (40Vdc max)	42 – 64Vdc (24Vdc max.)	
Puissance continue à 25°C	200VA	300VA	300VA	400VA	500VA	500VA	
Puissance 30 min. à 25°C	275VA	350VA	400VA	500VA	600VA	700VA	
Puissance 5 min. à 25°C	350VA	500VA	600VA	575VA	675VA	900VA	
Puissance 5 sec. à 25°C	450VA	650VA	1000VA	1000VA	1200VA	1400VA	
Charge asymétrique max.	150VA	150VA	200VA	250VA	300VA	300VA	
Rendement maximum (%)	93%	94%	94%	93%	94%	94%	
Cos φ max.	0.1 – 1 jusqu'à 200VA	0.1 – 1 jusqu'à 300VA	0.1 – 1 jusqu'à 300VA	0.1 – 1 jusqu'à 400VA	0.1 – 1 jusqu'à 500VA	0.1 – 1 jusqu'à 500VA	
Détection de la charge (Stand-by)	2W (seulement avec l'option solaire –S)			Réglable: 1 → 20W			
Courant de court circuit 2 sec. (sortie)	2.3Aac (4.6Aac*)	3.2Aac (6.4Aac*)	4.6Aac (9.2Aac*)	5.2Aac (10Aac*)	5.7Aac (11.4Aac*)	7Aac (14Aac*)	
Tension de sortie	Pur sinus 230Vac (120Vac*) ±5%						
Fréquence	50Hz (60Hz*) ±0.05% (contrôlée par quartz)						
Distortion THD (charge résistive)	< 5% (à Pnom. & Uin nom.)						
Consommation en mode Stand-by	0.3W**	0.5W**	1.1W**	0.4W	0.6W	1.5W	
Consommation „ON“ à vide	2.4W	3.5W	5.2W	4.6W	7.2W	12W	
Protection surchauffe (±5°C)	Coupure à 75°C, Redémarrage automatique à 70°C						
Protection surcharge et court-circuit	Déconnection automatique pui 2 essais de redémarrage						
Protection inversion de la polarité par fusible interne	60A	40A	25A	120A	90A	60A	
Protection décharge profonde batterie	Coupure à 0.87 x Unom, Redémarrage automatique à Unom						
Coupure surtension	Coupure à >1.33 x Unom, Redémarrage automatique à < Umax						
Alarme acoustique	Avant batterie basse ou déconnection par surchauffe						
Données générales							
Poids	2.4 kg	2.6 kg		4.5 kg			
Dimension hxlxl (mm)	142x163x84			142x240x84			
Indice de protection IP	IP 30 selon la norme DIN 40050						
Certificat ECE-R 10 (E24)	•	•	Non disponible	•	•	Non disponible	
Conformité CE	EN 61000-6-1, EN 61000-6-3, EN 55014, EN 55022, EN 60950-1						
Température de travail	-20°C jusqu'à +50°C						
Humidité relative de fonctionnement	95% sans condensation						
Ventilation forcée	Dès 45°C ±5°C						
Bruit	< 45 dB (avec ventilation)						
Garantie	5 ans						
Correction approx. de Pnom	-1.5%/°C au-delà de +25°C						
Capacité batterie requise	> 5 x Pnom/Unom (valeur recommandée en Ah)						
Longueur câbles (Batterie/sortie AC)	1.2m /1m			1.5m / 1m			
Options							
Régulateur solaire	Tension max.	25Vdc	45Vdc	90Vdc	25 Vdc	45Vdc	90Vdc
	Courant max.	10Aac			15Aac		
	Principe	Floating 3 étages (I/U/UO)					
	Tension d'absorption	14.4Vdc	28.8Vdc	57.6Vdc	14.4Vdc	28.8Vdc	57.6Vdc
	Tension de maintien	13.6Vdc	27.2Vdc	54.4Vdc	13.6Vdc	27.2Vdc	54.4Vdc
Prise pour télécommande (RCM)	•	•	•	•	•	•	

Model	AJ 1000-12	AJ 1300-24	AJ2100-12	AJ 2400-24	
Inverter					
Tension nominale d'entrée	12Vdc	24Vdc	12Vdc	24Vdc	
Plage de tension d'entrée	10.5 – 16Vdc (24Vdc max.)	21 – 32Vdc (44Vdc max.)	10.5 – 16Vdc (20Vdc max.)	21 – 32Vdc (40Vdc max)	
Puissance continue à 25°C	800VA	1000VA	2000VA	2000VA	
Puissance 30 min. à 25°C	1000VA	1300VA	2100VA	2400VA	
Puissance 5 min. à 25°C	1200VA	2000VA	2450VA	2800VA	
Puissance 5 sec. à 25°C	2200VA	2800VA	5000VA	5200VA	
Charge asymétrique max.	500VA	600VA	1000VA	1200VA	
Rendement maximum (%)	93%	94%	92%	94%	
Cos φ max.	0.1 – 1 jusqu'à 800VA	0.1 – 1 jusqu'à 1000VA	0.1 – 1 jusqu'à 2000VA	0.1 – 1 jusqu'à 2000VA	
Détection de la charge (Stand-by)	Réglable: 1 → 20W				
Courant de court-circuit 2 sec. (sortie)	10Aac (20Aac*)	13Aac (26Aac*)	26Aac (52Aac*)	30Aac (60Aac*)	
Tension de sortie	Pur sinus 230Vac (120Vac*) ±5%				
Fréquence	50Hz (60Hz*) ±0.05% (contrôlée par quartz)				
Distortion THD (charge résistive)	< 5% (à Pnom. & Uin nom.)			< 3% (à Pnom. & Uin nom.)	
Consommation en mode Stand-by	0.7W	1.2W	0.7W	1.2W	
Consommation „ON“ à vide	10W	13W	16W	16W	
Protection surchauffe (±5°C)	Coupure à 75°C, Redémarrage automatique à 70°C				
Protection surcharge et court-circuit	Déconnexion automatique puis 2 essais de redémarrage				
Protection inversion de la polarité	125A	100A	Non protégé	150A	
Protection décharge profonde batterie	Coupure à 0.87 x Unom, Redémarrage automatique à Unom				
Coupure surtension	Coupure à >1.33 x Unom, Redémarrage automatique à < Umax				
Alarme acoustique	Avant batterie basse ou déconnexion par surchauffe				
Données générales					
Poids	8.5 kg		19 kg	18 kg	
Dimension hxlxl (mm)	142x428x84		273x399x117		
Indice de protection IP	IP 30 selon la norme DIN 40050		IP 20 selon la norme DIN 40050		
Certificat ECE-R 10 (E24)	•	•	•	•	
Conformité CE	EN 61000-6-1, EN 61000-6-3, EN 55014, EN 55022, EN 60950-1				
Température de travail	-20°C jusqu'à +50°C				
Humidité relative de fonctionnement	95% sans condensation				
Ventilation forcée	Dès 45°C ±5°C				
Bruit	< 45 dB (avec ventilation)				
Garantie	5 ans				
Correction approx. de Pnom	-1.5%/°C au-delà de +25°C				
Capacité batterie requise	> 5 x Pnom/Unom (valeur recommandée en Ah)				
Longueur câbles (Batterie/sortie AC)	1.5m /1m		1.7m / 1m		
Options					
Régulateur solaire	Tension max.	25Vdc	45Vdc	25Vdc	45 Vdc
	Courant max.	25Adc		30Adc	
	Principe	Floating 3 étages (I/U/UO)			
	Tension d'absorption	14.4Vdc	28.8Vdc	14.4Vdc	28.8Vdc
	Tension de maintien	13.6Vdc	27.2Vdc	13.6Vdc	27.2Vdc
Télécommande JTB livrée avec un câble de 5m	•	•	•	•	

INSTRUCCIONES EN ESPAÑOL

INTRODUCCIÓN

Los inversores de la gama AJ se concibieron de manera a responder a las necesidades tanto industriales como domésticas. Satisfarán a las más altas exigencias de comodidad, seguridad y fiabilidad.

Se le puede conectar sin problema cualquier aparato destinado a alimentarse con la red eléctrica 230V 50Hz hasta la potencia nominal del inversor AJ.

La gama AJ es la solución ideal como fuente de tensión en cualquier parte dónde la red pública no está presente.

Este documento es parte integrante del inversor, debe entregarse con cada equipo y ponerse a disposición de toda persona trabajando sobre la instalación.

En caso de duda o de pregunta, no dude en contactar su proveedor especialista que podrá informarle.

ATENCIÓN

Un montaje incorrecto puede dañar el equipo, provocar un funcionamiento defectuoso o poner en peligro los usuarios.

El equipo encendido genera altas tensiones que pueden ser mortales en caso de contacto.

El trabajo sobre el inversor debe hacerse con gran cuidado. Las instalaciones deben hacerse por personal competente y responder a las normas de ámbito local.

EL USUARIO NO PUEDE MANIPULAR NINGUNA PIEZA EN EL INTERIOR DEL INVERSOR.

La apertura del inversor o el uso no conforme del inversor conllevará la pérdida inmediata de la garantía.

Únicamente se puede alimentar el AJ con baterías al plomo.

Ningún aparato generador de corriente o de tensión (red pública, generador,...) debe conectarse a la salida del inversor porque podría provocar la destrucción de este.

Para el uso de baterías, confórmese a las directivas de utilización del fabricante.

INSTALACIÓN

El inversor sinusoidal AJ es un equipo electrónico; hay que tomar ciertas precauciones cuando se pone en servicio:

Lugar de montaje del inversor

Dónde no puedan llegar personas no autorizadas, especialmente niños.

En un lugar seco (máx. 95% de humedad) y en todos los casos sin condensación.

No directamente por encima de las baterías.

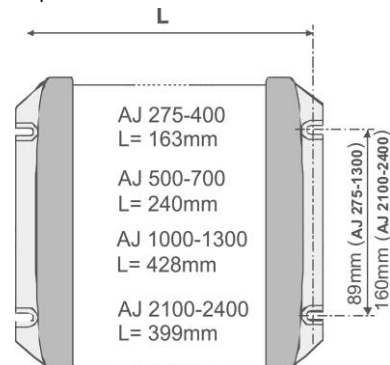
No se tiene que almacenar ningún material que se puede inflamar por debajo o cerca del equipo.

No se debe tapar la ventilación y se necesita una distancia mínima de 10 cm de cada lado del equipo para una buena evacuación del calor interno.

Fijación del inversor

El inversor debe fijarse en una superficie no inflamable con la ayuda de tornillos de 4mm de diámetro máximo, para los AJ 275 – AJ 1300 y de tornillos de 8mm para los AJ 2100 y 2400, en las cuatro ranuras previstas a ese efecto. Los tornillos de fijación no se entregan con el inversor.

La posición del inversor no es importante: puede ser contra un muro, encima de una mesa o suspendido.



CONEXIÓN

Se tiene que tener mucho cuidado a la hora de conectar los cables. De esta conexión depende el buen funcionamiento de toda la instalación. Los datos técnicos o la descripción de las conexiones se encuentran en uno de los lados inferiores del equipo o en el lado de la conexión del cable. Conecte primero los consumidores o conecte un enchufe para evitar todo contacto posterior una vez la tensión 230V esté presente. La instalación debe hacerse por personal autorizado.

CONEXIÓN DE LOS CONSUMIDORES

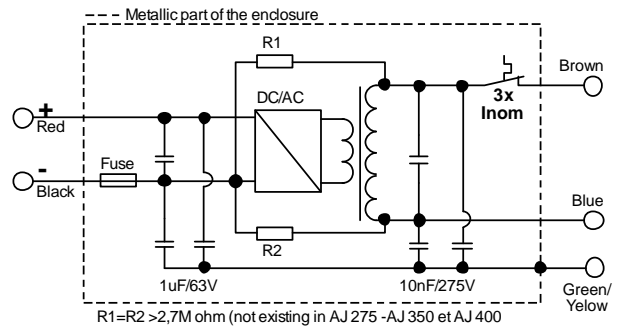
El inversor AJ se entrega con el cable 230V para alimentar los consumidores. Este debe conectarse respetando los colores:

- Amarillo-verde: Tierra
- Marrón: Fase
- Azul: Neutro

Una vez los consumidores conectados, compruebe que estén apagados antes de conectar la batería.

Información: un inversor constituye una fuente de tensión independiente de la red que hay que considerar de la misma forma que un generador. La fase y el neutro tienen una tensión de 230V entre ellos. La tensión fase/tierra y tierra/neutro se ha fijado a 115V por un divisor capacitivo. Según las prescripciones locales o las necesidades (por ejemplo el uso de un disyuntor diferencial) se puede realizar un equipotencial tierra/neutro conectando los hilos neutro y tierra juntos (amarillo-verde y azul).

ESQUEMA DE PRINCIPIO



CONEXIÓN DE LA BATERÍA

Asegúrese que sea imposible el contacto entre una persona y el lado 230V antes de conectar la batería.

Los cables de batería se entregan con el inversor y ya están conectados en el interior de este. Conecte las baterías teniendo mucho cuidado con la polaridad. El inversor está protegido contra la inversión de polaridad por un fusible, **excepto el AJ 2100-12.**

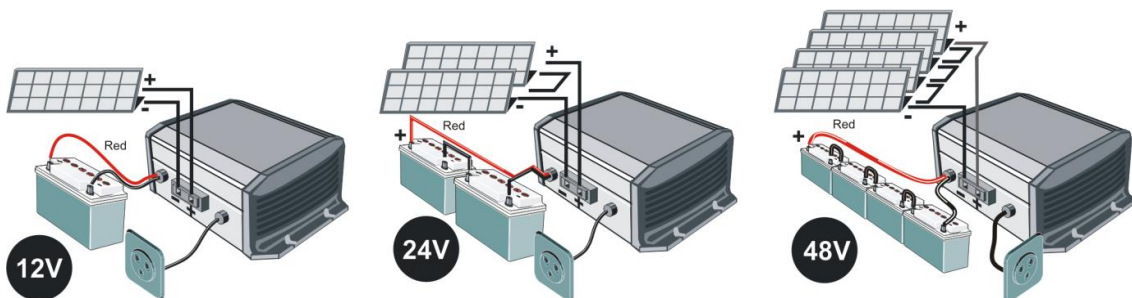
Sin embargo, si se invierte la polaridad, el inversor debe devolverse a fábrica para un control más minucioso.

Conecte las baterías usando los cables con los colores siguientes:

- Cable NEGRO: Polo negativo (-)
- Cable ROJO: Polo positivo (+).

Para las gamas de 275-12(-S) a 700-48 (-S), se usa un cable bicolor. Coja el color dominante como color de referencia.

Cuándo conecte la batería, aparecerá una chispa por la carga de los condensadores internos (¡riesgo de explosión!). Se tiene que



STUDER Innotec SA

AJ

montar un fusible de seguridad contra incendios en la batería.

Verifique el apretado de los cables. Siempre que sea posible, no prolongue los cables entregados. El hecho de prolongar los cables de batería puede aumentar las pérdidas y provocar un disfuncionamiento del equipo. Una vez el inversor conectado sobre la batería, la tensión 230V está presente en salida del inversor.

UTILIZACIÓN

FUNCIONES E INDICADORES



Botón de mando encendido/apagado (on/off)

Se puede acceder al pulsador de mando sobre el inversor. Permite el encendido y apagado del equipo. Utilice esta función para economizar la energía de las baterías poniendo el equipo fuera de tensión cuando no lo utilice.

Nota: El regulador solar sigue funcionando aunque apague el equipo.



Indicador "Funcionamiento" (LED verde 1)

Un indicador luminoso verde encima del inversor indica el modo de funcionamiento:

Encendido: La tensión 230 V está presente en la salida; el inversor está funcionando

Parpadea:
- - - - - El inversor está en modo standby.

— — — — — La tensión 230 V se ha parado momentáneamente tras una alarma; el inversor arrancará automáticamente en cuanto la causa de la alarma haya desaparecido (ver tabla de fallos p. 42).

Apagado: No hay tensión 230 V en salida; el inversor está apagado.



Indicador "BLO" (LED verde 2)
(LED presente únicamente en los AJ 275-12 à 700-48)

Este indicador luminoso se enciende solamente cuando la función "Battery Lifetime Optimizer – B.L.O" (descripción en p. 42) se activa (ver p. 41 para activación / desactivación de las funciones).

INDICADOR ACÚSTICO

El inversor AJ dispone de un indicador sonoro que señala los casos siguientes:

Sonido intermitente:

El inversor detecta un problema y cortará la tensión de salida.

Posibles problemas:

Sobrecalentamiento:

El indicador pita 3°C antes de la parada del inversor. Disminuya el consumo para bajar la temperatura del inversor y así evitar la parada.

Baja tensión de batería:

El indicador pita un minuto antes del corte. Si la tensión de batería vuelve a subir (gracias a una disminución del consumo), la tensión de salida no se cortará.

Sonido continuo de dos segundos:

Ha pulsado sobre el pulsador ON/OFF para reiniciar el inversor. La tensión de salida está inmediatamente presente a la salida tras la señal sonora.

El indicador sonoro puede desactivarse según el procedimiento p 30.

ALARMA POR FLUCTUACIÓN DE TENSIÓN

Cuando el indicador sonoro se desactiva o cuando el equipo está demasiado lejos para poder oír el pitido, puede ser útil tener el aviso de que el inversor se va a parar en caso de "baja tensión de batería" o por "sobrecalentamiento". Si se activa esta función (ver p. 41 para activación/desactivación de las funciones), la tensión de salida fluctuará ligeramente (máx. 20%) provocando una variación de intensidad luminosa de las lámparas que estén eventualmente conectadas e indicando así la inminencia de la parada de entrega de energía. El usuario podrá elegir, si lo desea, reducir su consumo para prolongar el uso de funciones prioritarias (iluminación por ejemplo).

MODELOS CON STANDBY

Los inversores desde el AJ 500-12 llevan integrado un sistema de Standby (también disponible para la gama 275 / 350 / 400 con la opción -S). El standby es un sistema de economía de energía que desconecta el inversor de forma intermitente cuando no se detecta ningún consumidor. En este modo, el indicador de funcionamiento (LED verde 1) parpadea, indicando la presencia de tensión de forma intermitente.

El umbral de detección se ajusta de fábrica a un valor aproximado de 2W. En los modelos de potencia superior a 400W, es posible desactivar esta función o modificar el umbral ajustando el potenciómetro de ajuste amarillo marcado Standby. El ajuste del nivel de detección se efectúa como sigue: apague todos los consumidores, gire el potenciómetro hacia la derecha (sentido de las agujas del reloj) hasta que el LED parpadee, conecte su más pequeño consumidor (por ejemplo un cargador de móvil), gire lentamente el potenciómetro hacia la izquierda hasta que el LED se encienda continuamente. Controle que el inversor se ponga en modo standby cuando quite la carga. Si en este caso el modo standby

no se activa, esto significa que la carga es demasiado pequeña para ser detectada.

Si no se desea el standby, gire el potenciómetro completamente hacia la derecha.

La potencia mínima detectada puede ajustarse entre 1 y 20W. En la mayoría de las instalaciones, este ajuste no es necesario. El reglaje se hace con la ayuda de un destornillador plano nº1 ajustando el potenciómetro amarillo marcado "Standby" sobre el inversor. En la posición máxima a la derecha, la sensibilidad es mínima (20W). No presione el destornillador contra el potenciómetro.

CUIDADO

Funcionando en modo Standby, la tensión 230V está presente en la salida de forma intermitente.

ACTIVACIÓN / DESACTIVACIÓN DE FUNCIONES

Las funcionalidades siguientes de los inversores de la gama AJ pueden activarse o desactivarse libremente por el usuario:

1. Alarma de parada inminente por señal acústica "buzzer" (descripción en p. 39).
2. Algoritmo de optimización de vida útil de la batería "B.L.O." (descripción en p. 42).
3. Alarma de parada inminente por fluctuación de tensión (descripción en p. 40).

Los estados activado o desactivado de las funciones se señalan con el buzzer cuando se presiona continuamente sobre la tecla encendido/apagado tras un tiempo determinado para cada función según la tabla siguiente:

- Simple "bip" corto = función activada
- Doble "bip" corto = función desactivada

	Función	Tiempo de impulsión (sobre on/off)	Ajuste por defecto
1.	Alarma acústica	5 segundos	Activado
2.	Optimización de vida útil de batería (B.L.O.)	10 segundos	Desactivado
3.	Alarma por fluctuación de tensión	15 segundos	Desactivado

El estado de la función se cambia si se suelta la tecla encendido/apagado en los dos segundos tras el aviso del buzzer.

Para consultar el estado de las funciones sin efectuar ningún cambio de programación de éstas, debe mantener pulsada la tecla encendido/apagado. Después de 20 segundos el buzzer pitará de forma continua para indicar el fin de la secuencia de lectura y se parará cuándo suelte la tecla.

SEGURIDAD

El inversor AJ está protegido de manera electrónica. Está protegido contra inversiones de polaridad por un fusible interno, excepto el modelo AJ 2100-12 que debe protegerse con un fusible externo. La tabla siguiente muestra los diversos casos posibles de fallos y sus consecuencias.

Cuidado, el inversor no está protegido contra conexiones accidentales de otras fuentes (red pública o generador) en la salida AC. Este tipo de conexión puede provocar daños de mayor importancia en el inversor y debe absolutamente evitarse.

Protección de la batería por desconexión en baja tensión:

La batería está protegida contra descargas excesivas por el apagado del inversor si su tensión llega a un nivel inferior a $0.87 \cdot U_{nom}$ (10.5, 21 o 42V) durante más de 1 minuto. Una alarma sonora o por fluctuación de tensión (si autorizada) se activa 1 minuto antes de que el inversor se apague. El inversor se podrá arrancar manualmente.

Arrancará automáticamente si la tensión de batería vuelve a un valor superior a $1.04 \cdot U_{nom}$ (12.5, 25 o 50V).

El inversor se apagará inmediatamente (sin plazo) si la tensión de batería es inferior a $0.75 \cdot U_{nom}$ (9, 18 o 36V).

La tabla siguiente indica las posibles causas de fallo del inversor

CAUSA	CONSECUENCIA	RESOLUCIÓN
Tensión de batería baja <0.87*Unom	Inversor parado momentáneamente, el indicador verde 1 parpadea	Arranque automático en cuanto la tensión de batería alcance 1.04*Unom.
Tensión de batería baja <0.75*Unom	Inversor parado indicador verde 1 apagado	Arranque manual posible en cuanto la tensión de batería alcance >0.87*Unom.
Sobrecalentamiento	Inversor parado momentáneamente, indicador verde 1 parpadea.	Arranque automático en cuanto la temperatura del equipo haya bajado.
Sobretensión de batería >1.33*Unom	Inversor parado	Esperar que la tensión de batería vuelva a ser correcta. Una tensión demasiado elevada puede dañar el inversor. Arranque automático en cuanto la tensión de la batería haya bajado a 1.25*Unom.
Cortocircuito en salida	Inversor parado	Suprimir el cortocircuito. Pulse la tecla ON/OFF para arrancar el inversor.
Sobrecarga	Inversor parado	Utilice el inversor en los límites de su potencia nominal. Un uso prolongado o regular en sobrecarga disminuirá su vida útil. Pulse sobre la tecla ON/OFF para arrancar el inversor.
Inversión de polaridad de la batería	Fusible interno destruido	Retorno a fábrica para pruebas.

OPTIMIZADOR DE VIDA ÚTIL DE BATERÍA (BATTERY LIFETIME OPTIMIZER – B.L.O.):



Ciclar una batería que está permanentemente entre 0 y 30% de su capacidad es a menudo la causa de fallos prematuros en las baterías. Esta situación se presenta muy a menudo en pequeñas instalaciones solares individuales.

Para mejorar la vida útil de las baterías en esta situación, los inversores de la gama AJ (de 275-12 (-S) a 700-48 (-S)) disponen de un ajuste automático del umbral de desconexión por tensión. Este reajuste obliga al usuario a adaptar su consumo de manera a permitir una recarga completa de la batería. Esta función puede activarse o desactivarse en cualquier momento, según el procedimiento mencionado en p. 41.

Un indicador luminoso (LED verde 2 únicamente disponible en los AJ 275-12 à 700-48) está encendido o parpadea cuando se

activa esta función. El número de parpadeos indica el nivel de tensión de desconexión actualmente aplicado.

Si este indicador luminoso está encendido continuamente, quiere decir que la batería se usa de forma correcta y que está suficientemente recargada. En este caso, el umbral de desconexión se fija a 0.87*Unom (10.5, 21o 42V según el modelo). Esto significa también que tiene la mayor disponibilidad de su stock de energía y que la batería está menos sujeta a una degradación prematura.

Si el LED parpadea una o varias veces consecutivas, significa una restricción de uso de la batería y un umbral de desconexión fijado al nivel mencionado en la tabla siguiente (+/- 2%).

STUDER Innotec SA

AJ

12V	24V	48V	LED	Observaciones
10.5	21	42	0 x (ON)	Este umbral también se usa cuando se desactiva el "B.L.O"
11V	22V	44	1 x off	-
11.4	22.8	45.6	2 x off	Primer umbral del B.L.O usado inmediatamente después de la activación de la función
11.6	23.2	46.4	3 x off	-
11.8	23.6	47.2	4 x off	-
12	24	48	5 x off	-
12.2	24.4	48.8	6 x off	-

Esta estrategia de restricción de uso de la batería invita al usuario a reducir su consumo o aumentar su producción añadiendo eventual y temporalmente otra fuente de energía (cargador adicional sobre un generador de emergencia por ejemplo).

Cuando la tensión de la batería es superior a $1.08 \cdot U_{nom}$ (13V, 26V, 52V) durante 2h, el umbral de desconexión se reduce con etapas de 33mV/célula (0.4V @ 12V). Este proceso garantiza que la carga media de la batería sea suficiente (más del 50%) para asegurar una vida útil óptima de la batería.

Esta función es particularmente útil en sistemas solares individuales para los cuales se dimensiona en general la batería para almacenar 3 a 5 veces la producción media diaria.

Por ejemplo, un sistema solar de 200W pico que produce aproximadamente 800Wh/día conectado a una batería 12V de 200 a 300Ah. Si la batería se dimensiona por lo bajo de tal forma que esté completamente cargada y descargada en cada ciclo, es posible que no se desee la restricción de uso impuesta por un

umbral de desconexión elevado, en cual caso, se recomienda que se desactive el B.L.O.

MANTENIMIENTO

Los inversores de la gama AJ no necesitan ningún mantenimiento particular. La caja puede limpiarse con un paño húmedo. Si apareciera una deformación mecánica de la caja o de los cables o un disfuncionamiento, tendría que enviar el inversor, cuidadosamente empaquetado en su embalaje de origen, a su proveedor para control.

Antes de reenviar el inversor, controle los puntos siguientes.

- La batería está cargada y corresponde a la tensión nominal del equipo.
- Los consumidores no tienen ningún defecto o provocan sobrecarga para el inversor (Para asegurarse, desconecte los aparatos).

Si tiene que contactar su distribuidor de todas formas, note los puntos siguientes antes de llamar:

(Encontrará estas indicaciones en la etiqueta debajo del inversor o del lado de las conexiones de los cables)

- El tipo exacto de inversores
- El número de serie
- La potencia del inversor
- La tensión nominal de entrada del inversor

En el caso de reenvío en un embalaje diferente que el original, el inversor debe ponerse en un cartón rígido y estar bien protegido por todos los lados y por debajo una capa aislante anti golpe de al menos 5cm de ancho. Una mala protección puede causar daños al inversor durante el transporte. Los daños debidos al transporte no se cubren con la garantía.

LÍMITES DE GARANTÍA

La garantía es de 5 años. No cubre los casos de defectos aparecidos tras un uso no conforme a la descripción del manual de instrucciones o no descritas por este, o cualquier otro uso inapropiado, entre otros los eventos siguientes:

Inversión de la polaridad sobre la entrada batería.

Tensión inapropiada sobre las entradas (sobretensión)

Contacto entre los cables de salida con otra fuente de tensión como la red pública o un generador.

Deformación mecánica.

Contacto con líquidos u oxidación debida a la condensación. Uso en un ambiente inadecuado (polvo, vapor corrosivo, humedad, temperatura elevada, etc.).

EXCLUSIÓN DE RESPONSABILIDAD

La empresa Studer Innotec SA no puede vigilar la instalación, la puesta en funcionamiento, el uso, el mantenimiento y el servicio. Por esta razón, declinamos toda responsabilidad por los daños, los costes o las pérdidas resultantes de una instalación no conforme a las prescripciones, de un funcionamiento defectuoso o de un mantenimiento deficiente. El uso de inversores Studer releva en todos los casos de la responsabilidad del cliente.

Este equipo no se concibió ni se garantiza para una alimentación de instalaciones destinadas al soporte vital o cualquier otra instalación crítica que conlleve riesgos potenciales de daños al ser humano o al medio ambiente. No asumimos ninguna responsabilidad por las violaciones de derechos de patentes o derechos a terceros resultantes del uso del inversor.

Studer Innotec SA se reserva el derecho de toda modificación sobre los productos sin previo aviso.

JT8 – CONTROL REMOTO PARA AJ 1000 A 2400

Las funciones del control remoto son idénticos a las funciones disponibles en el inversor (ver p. 39 "Utilización").

El control remoto debe conectarse al inversor con la ayuda del cable de origen Studer (10m) u otro cable RJ11/6p 1:1 hasta una longitud máx. de 50m.



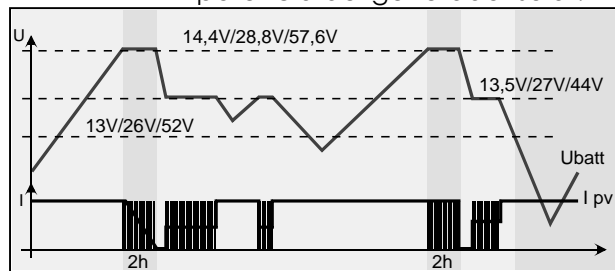
MODELOS CON CARGADOR SOLAR (OPCIÓN – S)

El regulador de carga a disposición en el inversor AJ se destina exclusivamente a la carga de la batería para módulos fotovoltaicos. Cualquier otra fuente de corriente necesita el uso de un regulador de carga separado, adaptado a esa fuente. La tensión en vacío de los módulos solares debe ser de 23V máximo para las aplicaciones 12V, de 46V máximo para las aplicaciones 24V y de 90V máximo para las aplicaciones 48V. Conecte primero el inversor a la batería antes de conectar el módulo fotovoltaico. El modo de ajuste es de tipo I/U/Uo ("floating") conmutada shunt y garantiza condiciones de carga óptimas para la vida útil de la batería. El indicador amarillo indica el modo de funcionamiento:

- Encendido:** La carga solar es máxima.
- Apagado:** El generador solar no se ha conectado o la batería está completamente cargada o el

módulo fotovoltaico no está iluminado.

Parpadeante: La batería está cargada a más del 95% y el cargador está en modo "floating" para completar la carga. La frecuencia del parpadeo varía en función de la capacidad de batería y de la potencia del generador solar.



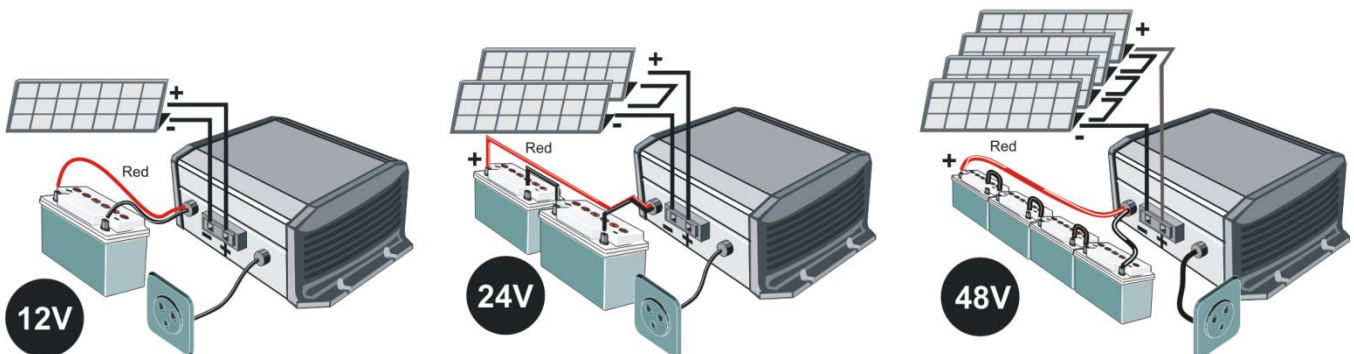
NOTA: como el regulador solar integrado en el AJ es de tipo PWM, solo se pueden conectar módulos fotovoltaicos de 36 o 72 células (12V o 24V respectivamente). Si se usa cualquier otro tipo de módulo, necesitaría un regulador de tipo MPPT (p.ej VarioTrack o VarioString).

CONEXIÓN DE LOS MÓDULOS SOBRE AJ 2100/2400-S:

Para los inversores AJ 2100/2400-S, el conector de entrada de los módulos solares se reemplaza por un cable (2 x 6mm²) preinstalado. La conexión se hace a través de una caja de derivación.

- Positivo (+) sobre el hilo marrón o rojo
- Negativo (-) sobre el hilo azul o negro

EJEMPLOS DE MONTAJE



DATOS TÉCNICOS

Modelo	AJ 275-12	AJ 350-24	AJ400-48	AJ 500-12	AJ 600-24	AJ 700-48	
Inversor							
Tension nominal de batería	12Vdc	24Vdc	48Vdc	12Vdc	24Vdc	48Vdc	
Campo de tension de entrada	10.5 – 16Vdc (24Vdc max.)	21 – 32Vdc (44Vdc max.)	42 – 64Vdc (24Vdc max.)	10.5 – 16Vdc (20Vdc max.)	21 – 32Vdc (40Vdc max)	42 – 64Vdc (24Vdc max.)	
Potencia continua a 25°C	200VA	300VA	300VA	400VA	500VA	500VA	
Potencia 30 min. a 25°C	275VA	350VA	400VA	500VA	600VA	700VA	
Potencia 5 min. a 25°C	350VA	500VA	600VA	575VA	675VA	900VA	
Potencia 5 sec. a 25°C	450VA	650VA	1000VA	1000VA	1200VA	1400VA	
Carga asimétrica máxima	150VA	150VA	200VA	250VA	300VA	300VA	
Rendimiento máximo (%)	93%	94%	94%	93%	94%	94%	
Cos φ max.	0.1 – 1 hasta 200VA	0.1 – 1 hasta 300VA	0.1 – 1 hasta 300VA	0.1 – 1 hasta 400VA	0.1 – 1 hasta 500VA	0.1 – 1 hasta 500VA	
Deteccion de carga	2W (únicamente con la opcion solar –S)			Adjustable: 1 → 20W			
Corriente de corto circuito 2 seg. (exit)	2.3Aac (4.6Aac*)	3.2Aac (6.4Aac*)	4.6Aac (9.2Aac*)	5.2Aac (10Aac*)	5.7Aac (11.4Aac*)	7Aac (14Aac*)	
Tension de salida	Onda sinusoidal 230Vac (120Vac*) ±5%						
Frecuencia	50Hz (60Hz*) ±0.05% (controlado por cuarzo)						
Distorsion THD (carga resistiva)	< 5% (a Pnom. & Uin nom.)						
Consumo Stand-by	0.3W**	0.5W**	1.1W**	0.4W	0.6W	1.5W	
Consumption „ON“ sin carga	2.4W	3.5W	5.2W	4.6W	7.2W	12W	
Proteccion de sobre temperatura (±5°C)	Apagado a 75°C, reinicio automático a 70°C						
Proteccion de sobre temperatura y corto circuito	Desconexion automática con 2 intentos de reinicio						
Proteccion polarizacion inversa con fusible interno	60A	40A	25A	120A	90A	60A	
Proteccion contra descargas excesivas protection	Apagado a 0.87 x Unom, reinicio automático a Unom.						
Corte sobretension	Apagado a >1.33 x Unom, reinicio automático < Umax						
Alarma acústica	Desconexion antes de batería baja o sobre temperatura						
Datos generales							
Peso	2.4 kg	2.6 kg		4.5 kg			
Dimensiones AxaxL (mm)	142x163x84			142x240x84			
Índice de proteccion IP	IP 30 conforme con DIN 40050						
Certificacion ECE-R 10 (E24)	•	•	No disponible	•	•	No disponible	
Conformidad EC	EN 61000-6-1, EN 61000-6-3, EN 55014, EN 55022, EN 60950-1						
Temperatura de trabajo	-20°C a +50°C						
Humedad relativa de funcionamiento	95% sin condensacion						
Ventilacion forzada	A partir de 45°C ±5°C						
Nivel acústico	< 45 dB (con ventilacion)						
Garantía	5 años						
Correccion aproximada de Pnom	-1.5%/°C a partir +25°C						
Capacidad de batería recomendada	> 5 x Pnom/Unom (valor recomendado en Ah)						
Longitud de cables (Batería/salida AC)	1.2m /1m			1.5m / 1m			
Opciones	AJ 275-12	AJ 350-24	AJ400-48	AJ 500-12	AJ 600-24	AJ 700-48	
Regulador Solar	Tension max	25Vdc	45Vdc	90Vdc	25 Vdc	90Vdc	
	Corriente max.	10Aac		15Aac			
	Principio	Mantenimiento 3 niveles (I/U/UO)					
	Tension de absorcion	14.4Vdc	28.8Vdc	57.6Vdc	14.4Vdc	28.8Vdc	57.6Vdc
	Tension flotacion	13.6Vdc	27.2Vdc	54.4Vdc	13.6Vdc	27.2Vdc	54.4Vdc
Enchufe para control remoto (RCM)	•	•	•	•	•	•	

Modelo	AJ 1000-12	AJ 1300-24	AJ2100-12	AJ 2400-24	
Inversor					
Tension nominal de batería	12Vdc	24Vdc	12Vdc	24Vdc	
Campo de tension de entrada	10.5 – 16Vdc (24Vdc max.)	21 – 32Vdc (44Vdc max.)	10.5 – 16Vdc (20Vdc max.)	21 – 32Vdc (40Vdc max)	
Potencia continua a 25°C	800VA	1000VA	2000VA	2000VA	
Potencia 30 min. a 25°C	1000VA	1300VA	2100VA	2400VA	
Potencia 5 min. a 25°C	1200VA	2000VA	2450VA	2800VA	
Potencia 5 sec. a 25°C	2200VA	2800VA	5000VA	5200VA	
Carga asimétrica máxima	500VA	600VA	1000VA	1200VA	
Rendimiento máximo (%)	93%	94%	92%	94%	
Cos φ max.	0.1 – 1 hasta 800VA	0.1 – 1 hasta 1000VA	0.1 – 1 hasta 2000VA	0.1 – 1 hasta 2000VA	
Deteccion de carga	Adjustable: 1 → 20W				
Corriente de corto circuito 2 seg. (exit)	10Aac (20Aac*)	13Aac (26Aac*)	26Aac (52Aac*)	30Aac (60Aac*)	
Tension de salida	Onda sinusoidal 230Vac (120Vac*) ±5%				
Frecuencia	50Hz (60Hz*) ±0.05% (controlado por cuarzo)				
Distorsion THD (carga resistiva)	< 5% (a Pnom. & Uin nom.)			< 3% (a Pnom. & Uin nom.)	
Consumo Stand-by	0.7W	1.2W	0.7W	1.2W	
Consumption „ON“ sin carga	10W	13W	16W	16W	
Proteccion de sobre temperatura (±5°C)	Apagado a 75°C, reinicio automático a 70°C				
Proteccion de sobre temperatura y corto circuito	Desconexión automática con 2 intentos de reinicio				
Proteccion polarización inversa con fusible interno	125A	100A	Sin protección	150A	
Proteccion contra descargas excesivas proteccion	Apagado a 0.87 x Unom, reinicio automático a Unom.				
Corte sobretension	Apagado a >1.33 x Unom, reinicio automático < Umax				
Alarma acústica	Desconexion antes de batería baja o sobre temperatura				
Datos generales					
Peso	8.5 kg		19 kg	18 kg	
Dimensiones AxaxL (mm)	142x428x84		273x399x117		
Índice de proteccion IP	IP 30 conforme con DIN 40050		IP 20 conforme con DIN 40050		
Certificacion ECE-R 10 (E24)	•	•	•	•	
Conformidad EC	EN 61000-6-1, EN 61000-6-3, EN 55014, EN 55022, EN 60950-1				
Temperatura de trabajo	-20°C a +50°C				
Humedad relativa de funcionamiento	95% sin condensacion				
Ventilacion forzada	A partir de 45°C ±5°C				
Nivel acústico	< 45 dB (con ventilacion)				
Garantía	5 años				
Correccion aproximada de Pnom	-1.5%/°C a partir +25°C				
Capacidad de batería recomendada	> 5 x Pnom/Unom (valor recomendado en Ah)				
Longitud de cables (Batería/salida AC)	1.5m /1m		1.7m / 1m		
Opciones	AJ 1000-12	AJ 1300-24	AJ2100-12	AJ 2400-24	
Regulador Solar	Tension max	25Vdc	45Vdc	25Vdc	45 Vdc
	Corriente max.	25Aac		30Aac	
	Principio	Mantenimiento 3 niveles (I/U/UO)			
	Tension de absorcion	14.4Vdc	28.8Vdc	14.4Vdc	28.8Vdc
	Tension flotacion	13.6Vdc	27.2Vdc	13.6Vdc	27.2Vdc
Control remoto JT8 entregado con 5 m de cable	•	•	•	•	

DECLARATION OF EC CONFORMITY, 

Manufacturer name: Studer Innotec SA

Address: Rue des Casernes 57, CH - 1950 Sion

Material: Sine wave inverter

Product name: **AJ Series**

Models number:

AJ 275-12(-S)	AJ 500-12(-S)	AJ 1000-12(-S)
AJ 350-24(-S)	AJ 600-24(-S)	AJ 1300-24(-S)
AJ 400-48(-S)	AJ 700-48(-S)	AJ 2100-12(-S)
		AJ 2400-24(-S)

The devices of the product range above meet the requirements specified in the following EC directives and norms:

Security: **Low voltage directive 2006/95/EC**
- EN 50178:1997

EMC: **EMC directive 2004/108/EC**
- EN 61000-6-2:2005
- EN 61000-6-3:2007
- EN 61000-3-2:2006
- EN 61000-3-12:2005

RoHS: **RoHS directive 2002/95/EC**

Signatory: Roland Studer

Date: 05.05.2011





Studer Innotec SA
Rue des Casernes 57
1950 Sion – Switzerland

Tél : +41 (0) 27 205 60 80
Fax : +41 (0) 27 205 60 88

info@studer-innotec.com
www.studer-innotec.com